



# Thomas Parts Manual



## 205 Skid Steer Loader

*Publication Number 053457SP*

# INDEX - 205

LIABILITY WARRANTY.....	1A
S/N TAG LOCATION.....	1B
DECALS.....	1C

## 1. MAINFRAME

Fuel System .....	1.1
Rear Door.....	1.2
Universal Quick-Tach .....	1.3
Lift Arms and Pivot Pins .....	1.4
ROPS Assembly.....	1.5
Boom Supports .....	1.6
Shields.....	1.7
Seat and Seat Belt.....	1.8
Insulation.....	1.9
Wheels and Tires .....	1.10

## 2. CONTROLS

Control Levers. Up To S/N LS000318 .....	2.1A
Control Levers S/N LS000319 Onward.....	2.1B
Foot Pedals.....	2.2
Throttle.....	2.3
Restraint Bar .....	2.4

## 3. FINAL DRIVE TRANSMISSION

Transmission Covers, Gaskets.....	3.1
Axle Assembly.....	3.2

## 4. HYDRAULIC SYSTEM

Oil Reservoir.....	4.1
Hydraulic Oil Filter .....	4.2
Boom Lift Circuit .....	4.3
Fan / Radiator / Oil Cooler .....	4.4
Lift Cylinder .....	4.5
Bucket Tilt Circuit (Standard) .....	4.6
Tilt Cylinder.....	4.7
Auxiliary Circuit.....	4.8
Control Valve.....	4.9

## 5. HYDROSTATIC DRIVE SYSTEM

Hydrostatic Drive Circuit .....	5.1
Hydrostatic Tandem Pump .....	5.2
Hydrostatic Front Pump (parts).....	5.2(A)
Hydrostatic Rear Pump (parts).....	5.2(B)
Hi-Flow Circuit.....	5.3
Torque Motor .....	5.4

## 6. ELECTRICAL SYSTEM

Electrical Wiring, ROPS Up To S/N LS000414.....	6.1A
Electrical Wiring, ROPS S/N LS000415 Onward.....	6.1B
Electrical Wiring, Engine Up To S/N LS000414 .....	6.2A
Electrical Wiring, Engine S/N LS000415 Onward- .....	6.2B

## 7. ENGINE EQUIPMENT

Air Cleaner.....	7.1
Exhaust System.....	7.2
Universal Joint.....	7.3
Engine .....	7.4

## 8. OPTIONAL EQUIPMENT

Cab Enclosure .....	8.1
Cab Heater .....	8.2
Cab Door.....	8.3
Side Windows - Painted.....	8.4
Block Heater .....	8.5
Horn .....	8.6
Backup Alarm .....	8.7
Seat Belt (3") .....	8.8
Auto Engine Shutdown.....	8.9
Axle Seal Protector .....	8.10
Hand Controls .....	8.11
Hi - Flow.....	8.12
Optional Wheel Equipment .....	8.13
Hydraulic Oil Heater.....	8.14
Interior Light & Exterior Trouble.....	8.15
Light Kit.....	8.16
Driving Lamp.....	8.17
Purifier .....	8.18
Mirror, External Rear View .....	8.19
Mirror, Internal Rear View .....	8.20
Suspension Seat & Seat Belt .....	8.21
Self Level Valve.....	8.22

## NUMERICAL INDEX

## LIABILITY WARRANTY

**THE WARRANTY IS THE ONLY OBLIGATION OF THOMAS OR A THOMAS DEALER TO THE PURCHASER OR ANYONE ELSE CONCERNING A PRODUCT, ITS SERVICE, ITS USE OR PERFORMANCE OR ITS LOSS OF USE OR FAILURE TO PERFORM. NEITHER THOMAS NOR A THOMAS DEALER HAVE MADE AND NEITHER WILL MAKE ANY OTHER EXPRESSED OR IMPLIED REPRESENTATION, WARRANTY OR AGREEMENT CONCERNING A PRODUCT. NEITHER THOMAS NOR A THOMAS DEALER HAVE MADE OR WILL MAKE ANY REPRESENTATION, WARRANTY OR AGREEMENT CONCERNING A PRODUCTS MERCHANTABILITY OR OTHER QUALITY, ITS SUITABILITY FOR PURCHASER'S PURPOSE (EVEN IF A PURCHASER HAS INFORMED THOMAS OR A THOMAS DEALER OF THAT PURPOSE), ITS DURABILITY, PERFORMANCE OR OTHER CONDITION.**

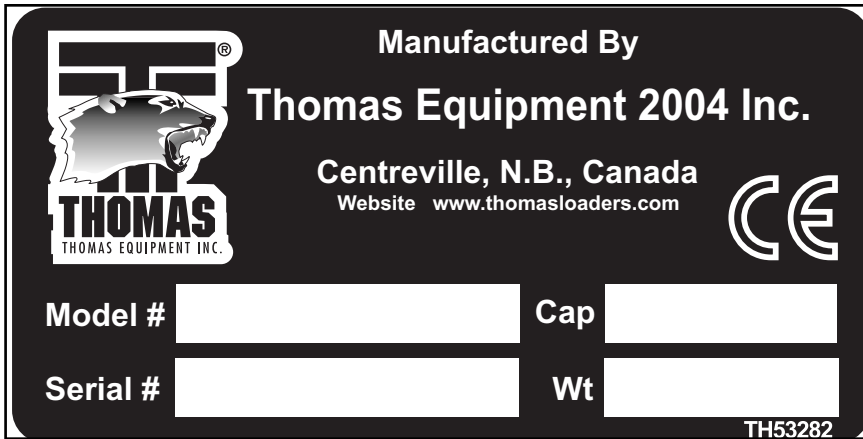
**EVEN IF THOMAS OR A THOMAS DEALER WAS ADVISED OF THE POSSIBILITY OF SUCH LOSS, NEITHER THOMAS NOR A THOMAS DEALER WILL BE LIABLE TO PURCHASER OR ANYONE ELSE FOR ANY INDIRECT, INCIDENTAL CONSEQUENTIAL, PUNITIVE, ECONOMIC, COMMERCIAL, OR SPECIAL LOSS WHICH IS IN ANY WAY ASSOCIATED WITH A PRODUCT. THIS INCLUDES ANY LOSS OF USE OR NON-PERFORMANCE OF A PRODUCT, ANY REPLACEMENT RENTAL OR ACQUISITION COSTS, ANY LOSS OF REVENUE OR PROFITS, ANY FAILURE TO REALIZE EXPECTED SAVINGS, ANY INTEREST COSTS, ANY IMPAIRMENT OF OTHER GOODS, ANY INCONVENIENCE OR ANY LIABILITY OF PURCHASER TO ANY OTHER PERSON.**

**PURCHASER MAY NOT ATTEMPT TO ENLARGE ITS RIGHTS UNDER THE WARRANTY BY MAKING A CLAIM FOR INDEMNITY, FOR BREACH OF CONTRACT, FOR BREACH OF COLLATERAL WARRANTY, FOR A TORT (INCLUDING NEGLIGENCE, MISREPRESENTATION OR STRICT LIABILITY) OR BY CLAIMING ANY OTHER CAUSE OF ACTION.**

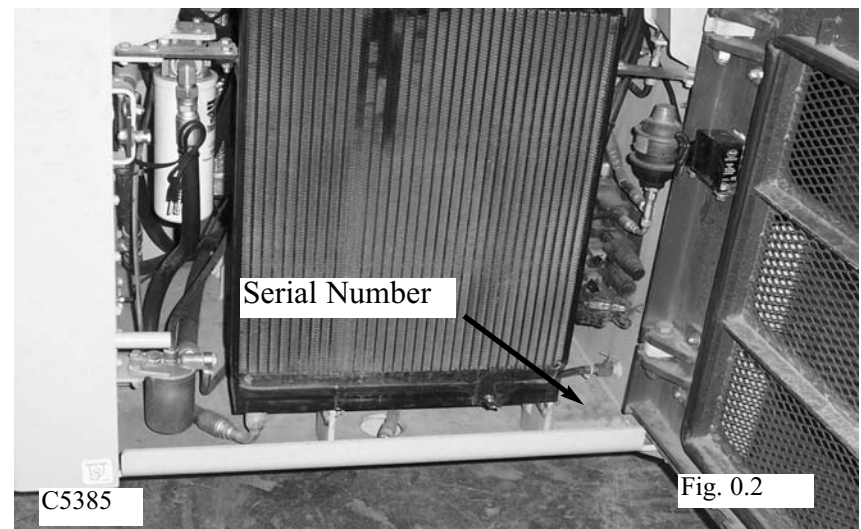
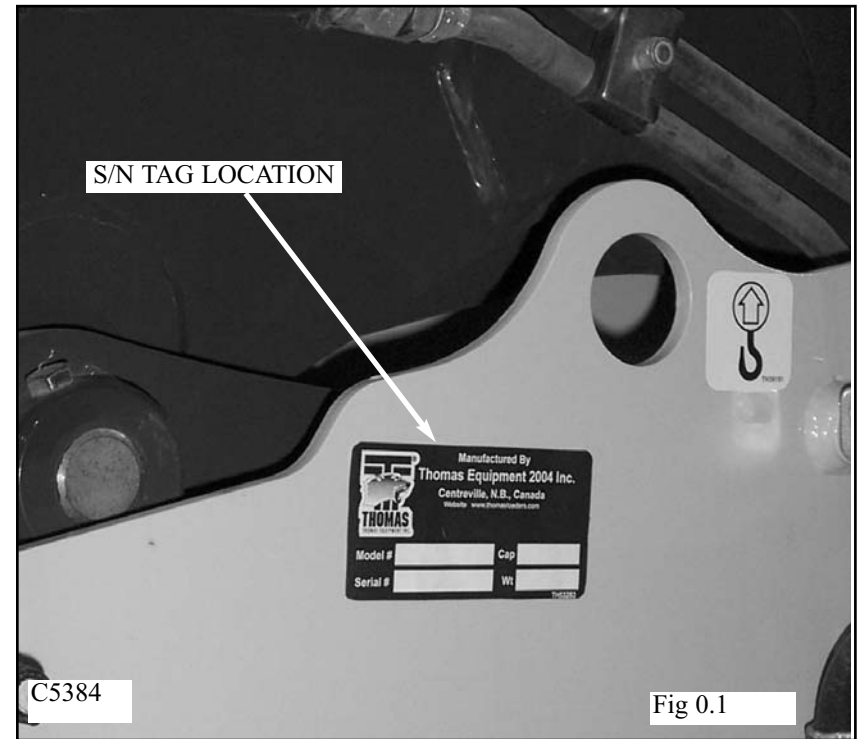
**THE WARRANTY IS A CONDITION OF SALE OF THE PRODUCT TO PURCHASER AND WILL THEREFORE APPLY EVEN IF PURCHASER ALLEGES THAT THERE IS A TOTAL FAILURE OF THE PRODUCT.**

*N.B. Read and practice your **Thomas** operating and servicing instructions. Failure to do this may void your warranty.*

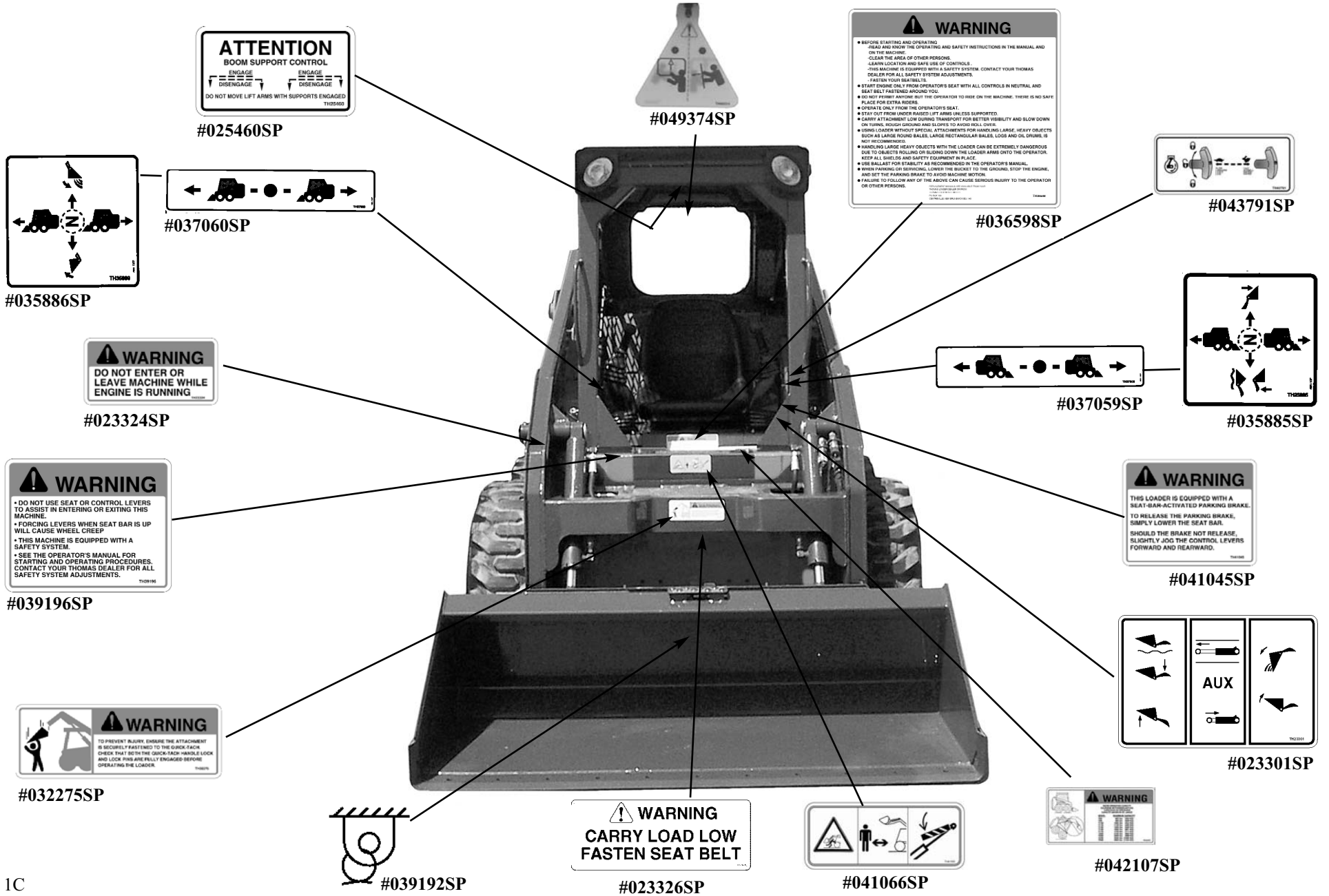
*Publication Number*  
053457SP



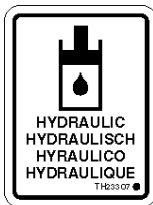
It is important when ordering replacement parts or making a service inquiry to provide both the model number and serial number of your Thomas loader. The serial number plate is located at the rear of the machine on the left hand side.(Fig 0.1) In the event that the serial number plate is missing, the serial number is stamped into the main frame inside the engine compartment, right hand side, onto the frame plate (Fig. 0.2).



# Decals



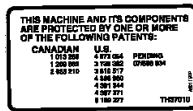
# Decals



#023307SP



#023312SP



#037010SP

SERVICE SCHEDULE	
<b>EVERY 8 HOURS</b>	<ul style="list-style-type: none"> <li>1. Check oil level.</li> <li>2. Check hydraulic oil level.</li> <li>3. Check water level.</li> <li>4. Check battery charge.</li> <li>5. Check tire pressure.</li> <li>6. Check for leaks.</li> <li>7. Check for loose bolts.</li> <li>8. Check for loose pins.</li> <li>9. Check for loose nuts.</li> <li>10. Check for loose washers.</li> <li>11. Check for loose cotter pins.</li> <li>12. Check for loose lock washers.</li> <li>13. Check for loose lock nuts.</li> <li>14. Check for loose lock washers.</li> <li>15. Check for loose lock nuts.</li> <li>16. Check for loose lock washers.</li> <li>17. Check for loose lock nuts.</li> <li>18. Check for loose lock washers.</li> <li>19. Check for loose lock nuts.</li> <li>20. Check for loose lock washers.</li> </ul>
<b>50 HOUR SERVICE</b>	<ul style="list-style-type: none"> <li>1. Check oil level.</li> <li>2. Check hydraulic oil level.</li> <li>3. Check water level.</li> <li>4. Check battery charge.</li> <li>5. Check tire pressure.</li> <li>6. Check for leaks.</li> <li>7. Check for loose bolts.</li> <li>8. Check for loose pins.</li> <li>9. Check for loose nuts.</li> <li>10. Check for loose washers.</li> <li>11. Check for loose cotter pins.</li> <li>12. Check for loose lock washers.</li> <li>13. Check for loose lock nuts.</li> <li>14. Check for loose lock washers.</li> <li>15. Check for loose lock nuts.</li> <li>16. Check for loose lock washers.</li> <li>17. Check for loose lock nuts.</li> <li>18. Check for loose lock washers.</li> <li>19. Check for loose lock nuts.</li> <li>20. Check for loose lock washers.</li> </ul>
<b>EVERY 150 HOURS</b>	<ul style="list-style-type: none"> <li>1. Check oil level.</li> <li>2. Check hydraulic oil level.</li> <li>3. Check water level.</li> <li>4. Check battery charge.</li> <li>5. Check tire pressure.</li> <li>6. Check for leaks.</li> <li>7. Check for loose bolts.</li> <li>8. Check for loose pins.</li> <li>9. Check for loose nuts.</li> <li>10. Check for loose washers.</li> <li>11. Check for loose cotter pins.</li> <li>12. Check for loose lock washers.</li> <li>13. Check for loose lock nuts.</li> <li>14. Check for loose lock washers.</li> <li>15. Check for loose lock nuts.</li> <li>16. Check for loose lock washers.</li> <li>17. Check for loose lock nuts.</li> <li>18. Check for loose lock washers.</li> <li>19. Check for loose lock nuts.</li> <li>20. Check for loose lock washers.</li> </ul>
<b>EVERY 400 HOURS</b>	<ul style="list-style-type: none"> <li>1. Check oil level.</li> <li>2. Check hydraulic oil level.</li> <li>3. Check water level.</li> <li>4. Check battery charge.</li> <li>5. Check tire pressure.</li> <li>6. Check for leaks.</li> <li>7. Check for loose bolts.</li> <li>8. Check for loose pins.</li> <li>9. Check for loose nuts.</li> <li>10. Check for loose washers.</li> <li>11. Check for loose cotter pins.</li> <li>12. Check for loose lock washers.</li> <li>13. Check for loose lock nuts.</li> <li>14. Check for loose lock washers.</li> <li>15. Check for loose lock nuts.</li> <li>16. Check for loose lock washers.</li> <li>17. Check for loose lock nuts.</li> <li>18. Check for loose lock washers.</li> <li>19. Check for loose lock nuts.</li> <li>20. Check for loose lock washers.</li> </ul>
<b>EVERY 1000 HOURS</b>	<ul style="list-style-type: none"> <li>1. Check oil level.</li> <li>2. Check hydraulic oil level.</li> <li>3. Check water level.</li> <li>4. Check battery charge.</li> <li>5. Check tire pressure.</li> <li>6. Check for leaks.</li> <li>7. Check for loose bolts.</li> <li>8. Check for loose pins.</li> <li>9. Check for loose nuts.</li> <li>10. Check for loose washers.</li> <li>11. Check for loose cotter pins.</li> <li>12. Check for loose lock washers.</li> <li>13. Check for loose lock nuts.</li> <li>14. Check for loose lock washers.</li> <li>15. Check for loose lock nuts.</li> <li>16. Check for loose lock washers.</li> <li>17. Check for loose lock nuts.</li> <li>18. Check for loose lock washers.</li> <li>19. Check for loose lock nuts.</li> <li>20. Check for loose lock washers.</li> </ul>

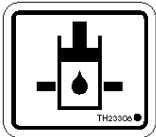
#023321SP

OIL. 10W30 API SL  
TH38043

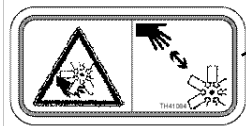
#038043SP



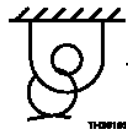
#049245SP



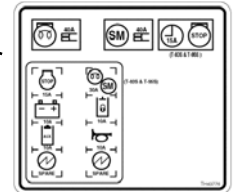
#023308SP



#041064SP



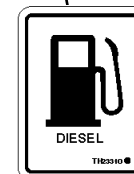
#039192SP



#043776SP



#023325SP



#023310SP



#046301SP

1C1

# Decals

**THOMAS**

#044615SP



#041065SP

*Vertical Lift*

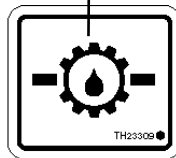
#049242SP



#049242SP

**205 Turbo**

#049242SP



#023309SP

#049242SP - Designation Decal Kit, Thomas Orange, up to S/N LS000499

# Decals

**THOMAS**  
#044615SP



#041065SP

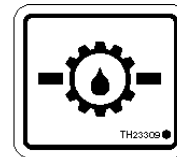
*Vertical Lift*

#052772 SP

**THOMAS**  
#052772SP



#052772SP



#023309SP

#052772SP -Designation Decal Kit, Thomas Yellow  
S/N LS000500 onward

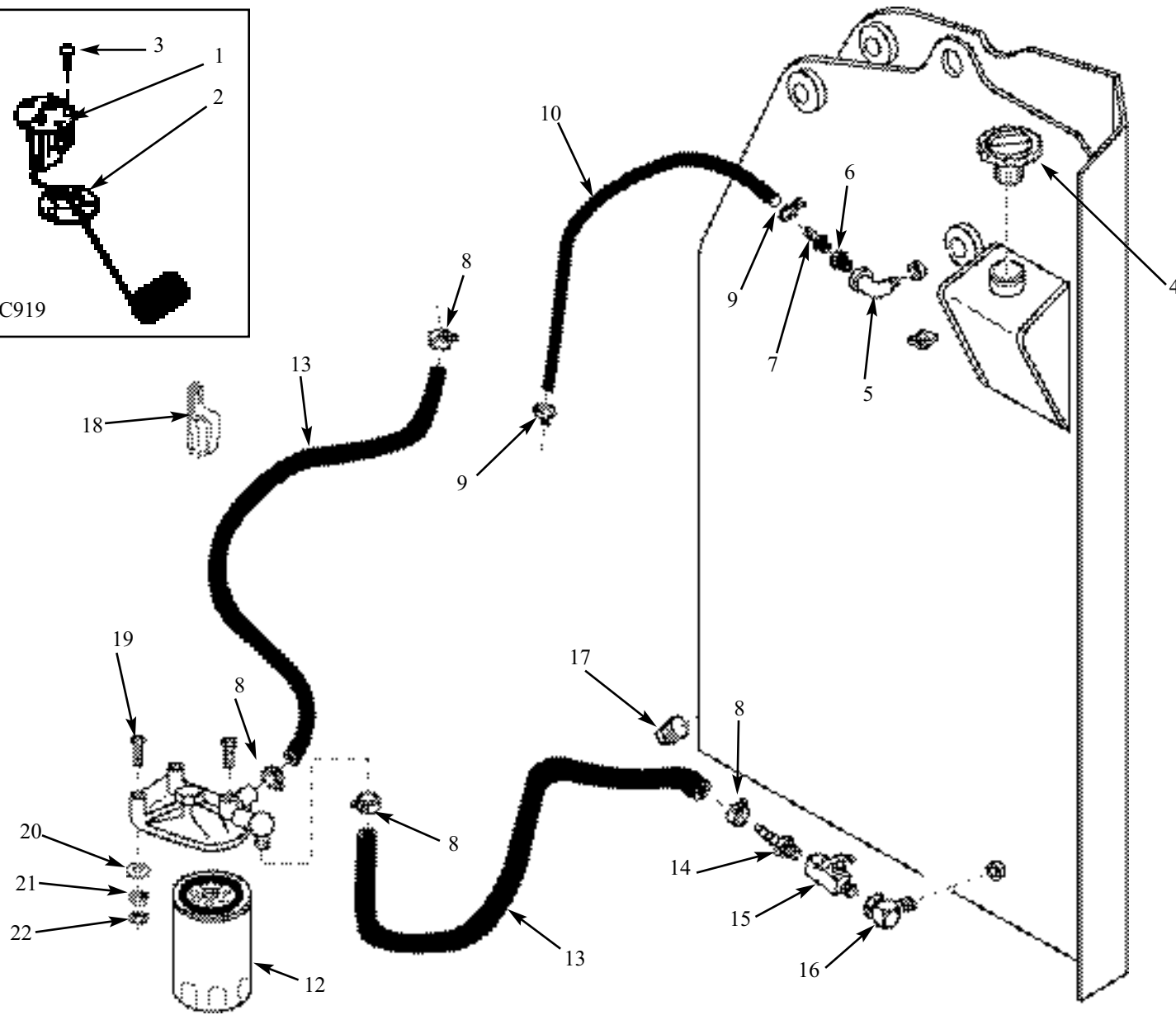
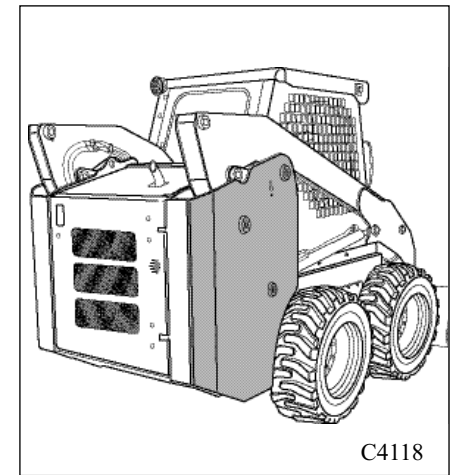
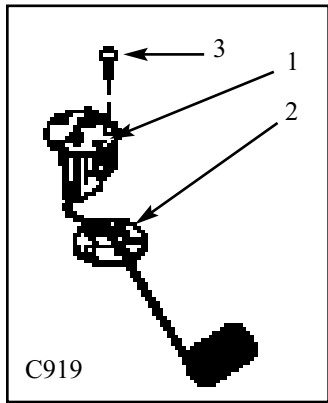


## 1. MAINFRAME

Fuel System.....	1.1
Rear Door.....	1.2
Universal Quick-Tach .....	1.3
Lift Arms and Pivot Pins.....	1.4
ROPS Assembly.....	1.5
Boom Supports.....	1.6
Shields .....	1.7
Seat and Seat Belt .....	1.8
Insulation .....	1.9
Wheels and Tires.....	1.10

# FUEL SYSTEM

1.1

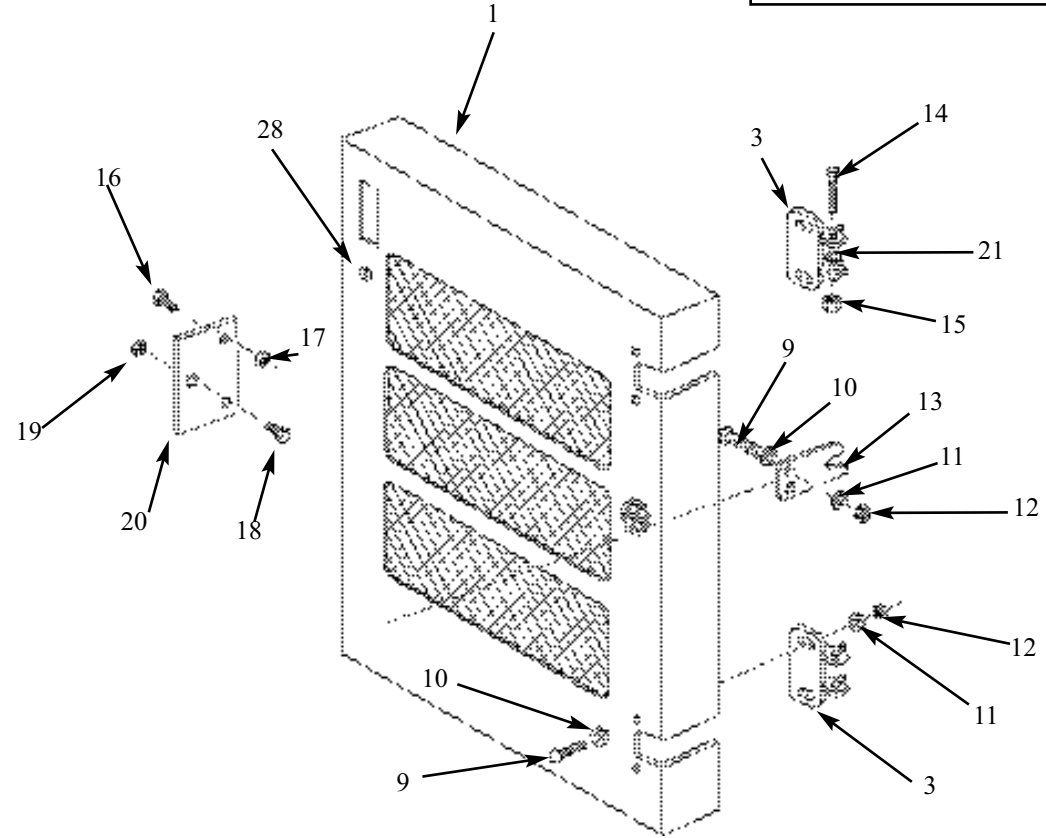
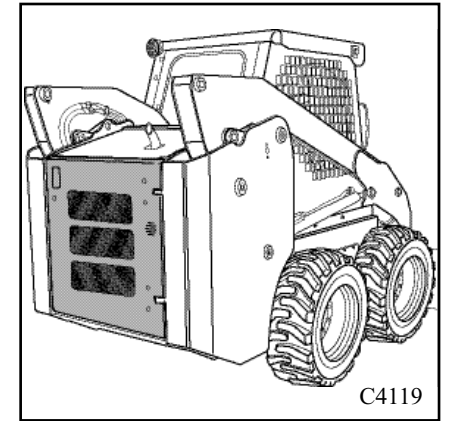
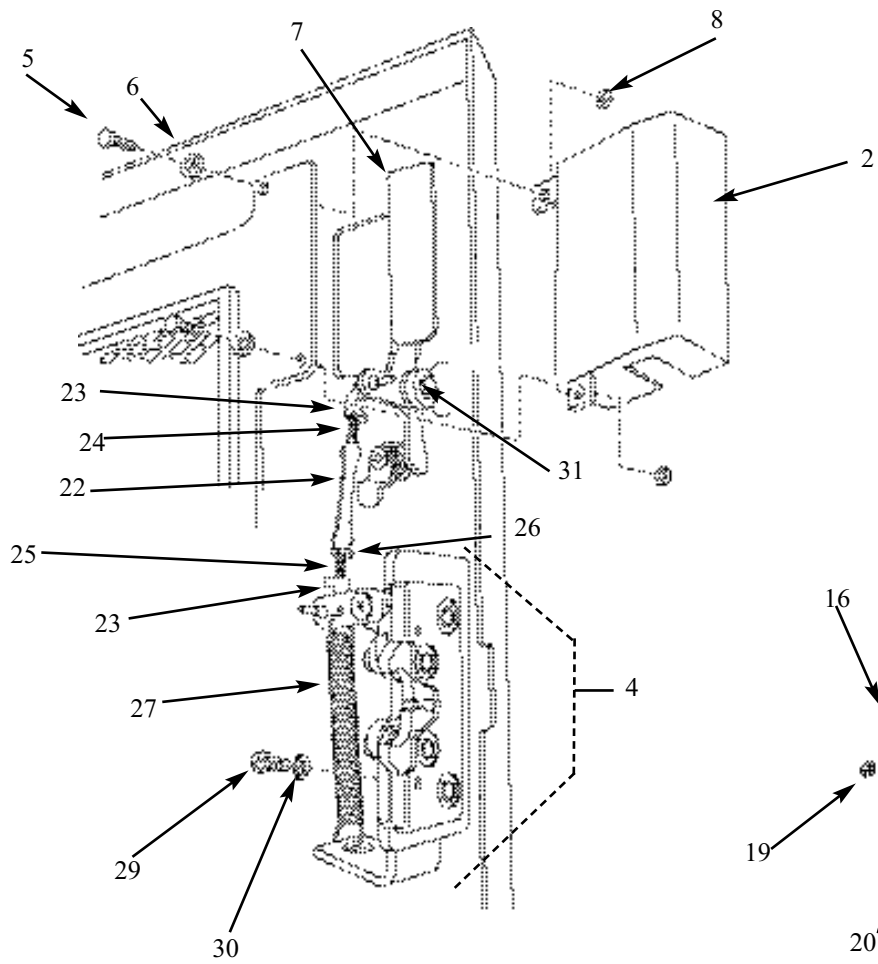


C4367

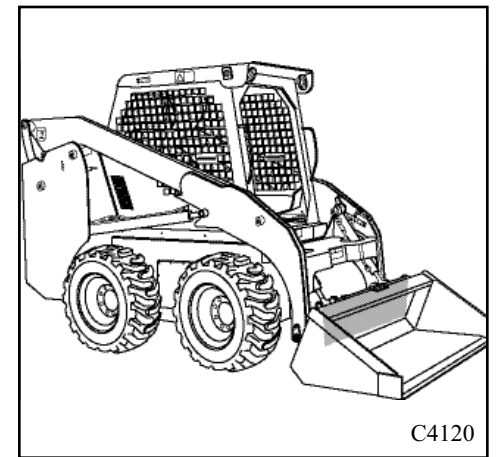
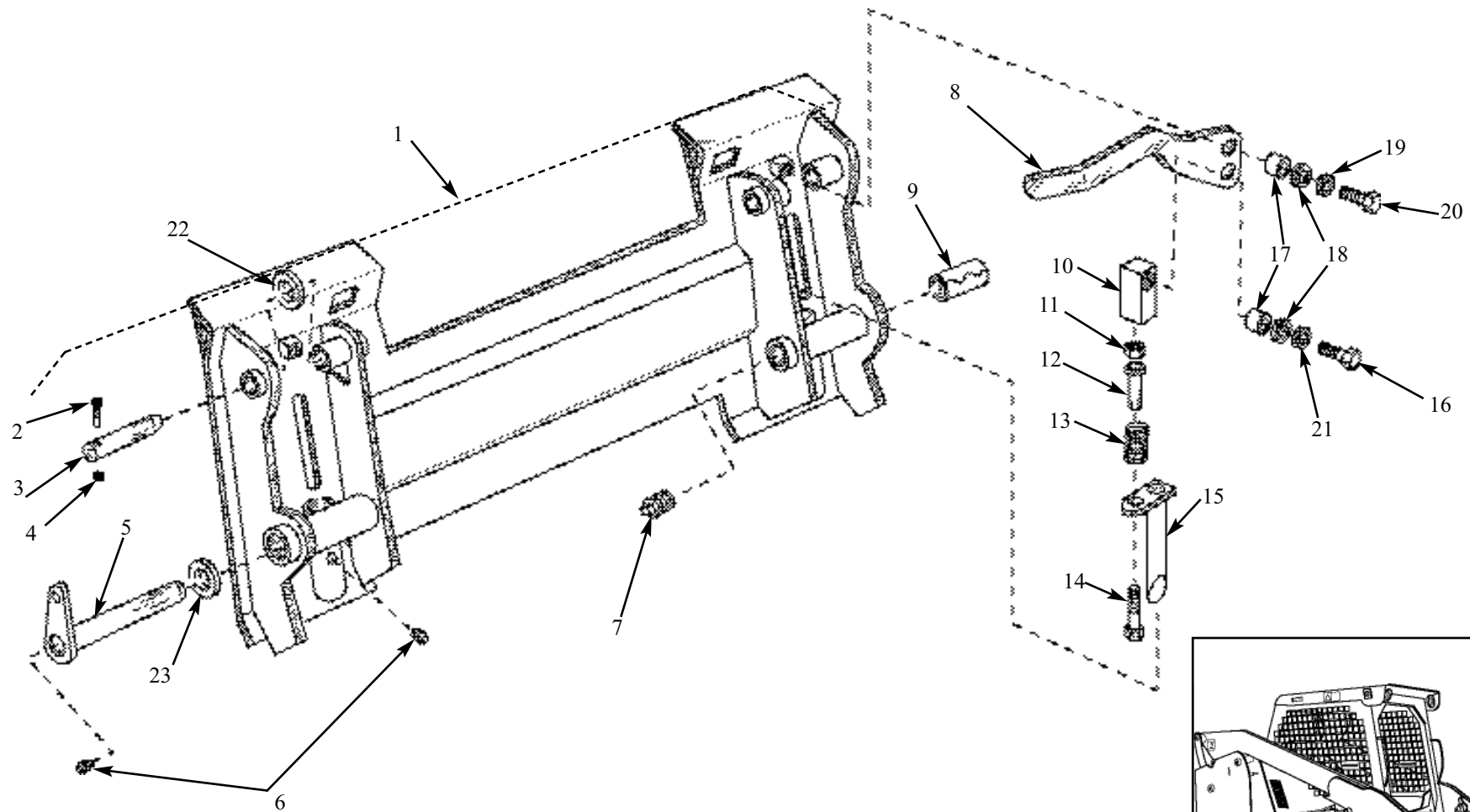
ITEM	PART	QTY	DESCRIPTION
1.	043744SP	1	Sender, Fuel Level
2.	024264SP	1	Gasket, Fuel Sender
3.	023194SP	5	Screw
4.	040921SP	1	Fuel Cap
5.	042574SP	1	Elbow
6.	042572SP	1	Reducing Bushing
7.	018318SP	1	Hose End
8.	019949SP	4	Clamp, Fuel Line
9.	026737SP	2	Clamp, Wire Hose
10.	000407SP	As/Req	Hose, Fuel 3 3/16"
12.	042561SP	1	Fuel Filter Element
13.	000261SP	As/Req	Hose, Fuel 5 5/16"
14.	023861SP	1	Hose End
15.	014797SP	1	Shut Off Petcock
16.	042574SP	1	Elbow, 90°
17.	017144SP	1	Plug, Socket Head Magnetic
18.	041024SP	1	Clip, Cable Double
19.	001387SP	2	Bolt, Hex
20.	001643SP	2	Washer, Flat
21.	001642SP	2	Washer, Lock
22.	001194SP	2	Nut, Hex

# REAR DOOR

1.2



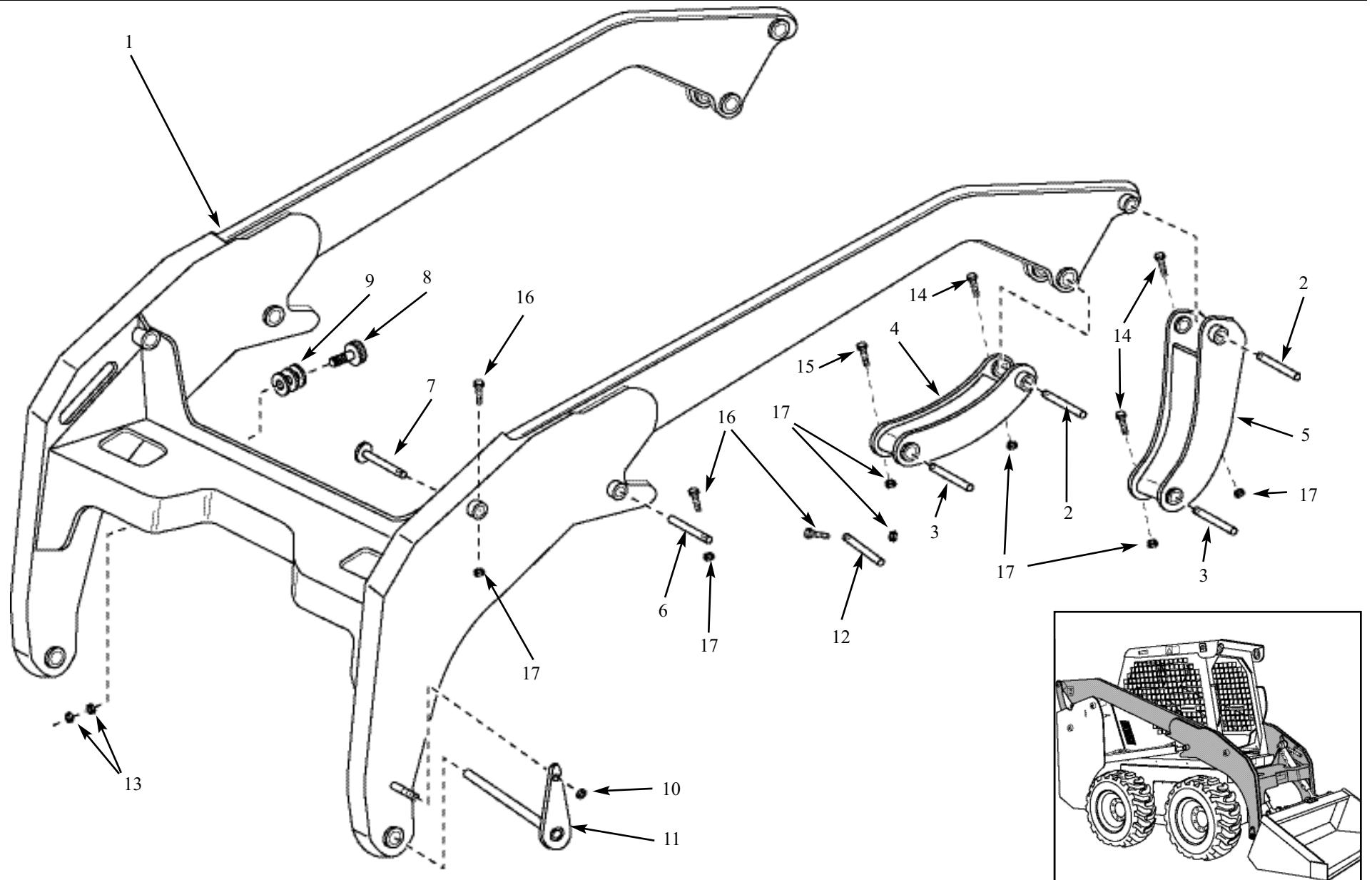
ITEM	PART	QTY	DESCRIPTION
1.	964792PSP	1	Rear Door Complete
2.	964784SP	1	Handle Guard
3.	964505SP	2	Hinge Plate
4.	048927SP	1	Latch, Rear Door
5.	001190SP	2	Bolt, Hex. 5/16" x 1"
6.	001651SP	10	Washer, Flat 5/16"
7.	048706SP	1	Handle
8.	043558SP	2	Nut, Hex 5/16" Flange
9.	014313SP	6	Bolt, Crg. 3/8" x 1-1/4" UNC
10.	001642SP	6	Washer, Lock 3/8"
11.	001643SP	6	Washer, Flat 3/8"
12.	001194SP	6	Nut, Hex. 3/8" UNC
13.	048713SP	1	Door Guide
14.	004461SP	2	Bolt, Hex. 3/4" x 3 1/2"
15.	006699SP	2	Nut, Hex. Nylok 3/4"
16.	001684SP	2	Bolt, Crg. 3/8" x 1"
17.	047470SP	2	Nut, Hex. Flg. 3/8"
18.	048928SP	1	Bolt, Rotary Striker
19.	049264SP	1	Nut, Hex. Flg. 7/16"
20.	051249SP	1	Plate, Door Striker
21.	016989SP	2	Bearing, HF, .750 I.D.
22.	043087SP	1	Turnbuckle
23.	043088SP	2	Clip, Rod, Plastic
24.	043236SP	1	Rod LH Thread
25.	043235SP	1	Rod RH Thread
26.	006467SP	1	Nut, 3/16" RH
27.	046398SP	1	Spring
28.	048929SP	1	Lock, Cylinder, W/Cam
29.	005170SP	4	Bolt, Hex 1/4" x 1"
30.	002279SP	4	Lockwasher, 1/4"
31	007723SP	1	Bolt, Hex 1/4" x 1-1/4"
*	001650SP	2	Flatwasher, 1/4"
*	039868SP	2	Washer, Nylon, 1/4"
*	006645SP	1	Nylok Nut, 1/4"



ITEM	PART	QTY	DESCRIPTION
1.	962822SP	1	U-2326 Quick-Tach, Universal Assembly
2.	007458SP	2	Bolt, Hex
3.	043636SP	2	Pin (Hardened)
4.	016771SP	2	Nut, Nylok
5.	043634SP	2	Pin, Hardened Assy.
*	008613SP	2	Nut, Nylok
6	002010SP	4	Grease Fitting
7.	001458SP	2	Plug
8.	041290SP	1	Plate, Handle RH
*	041291SP	1	Plate, Handle LH
9.	041318SP	2	Bushing, Hardened
10.	040614SP	2	Bar, Square, Linkage Block
11.	020860SP	2	Nut, Hex
12.	042350SP	2	Bushing, Spring Stabilizer
13.	049281SP	2	Spring
14.	002011SP	2	Bolt, Hex
15.	961834SP	1	Pin, Lock Assy. RH
*	961833SP	1	Pin, Lock Assy. LH
16.	003321SP	2	Bolt, Hex
17.	022653SP	4	Bushing, Stabilizer Bar
18.	023385SP	4	Washer, Flat
19.	041392SP	2	Washer, Belleville Spring
20.	001680SP	2	Bolt, Hex
21.	020861SP	2	Washer, Lock
22.	032615SP	2	Washer, Flat
23.	032614SP	2	Washer, Flat

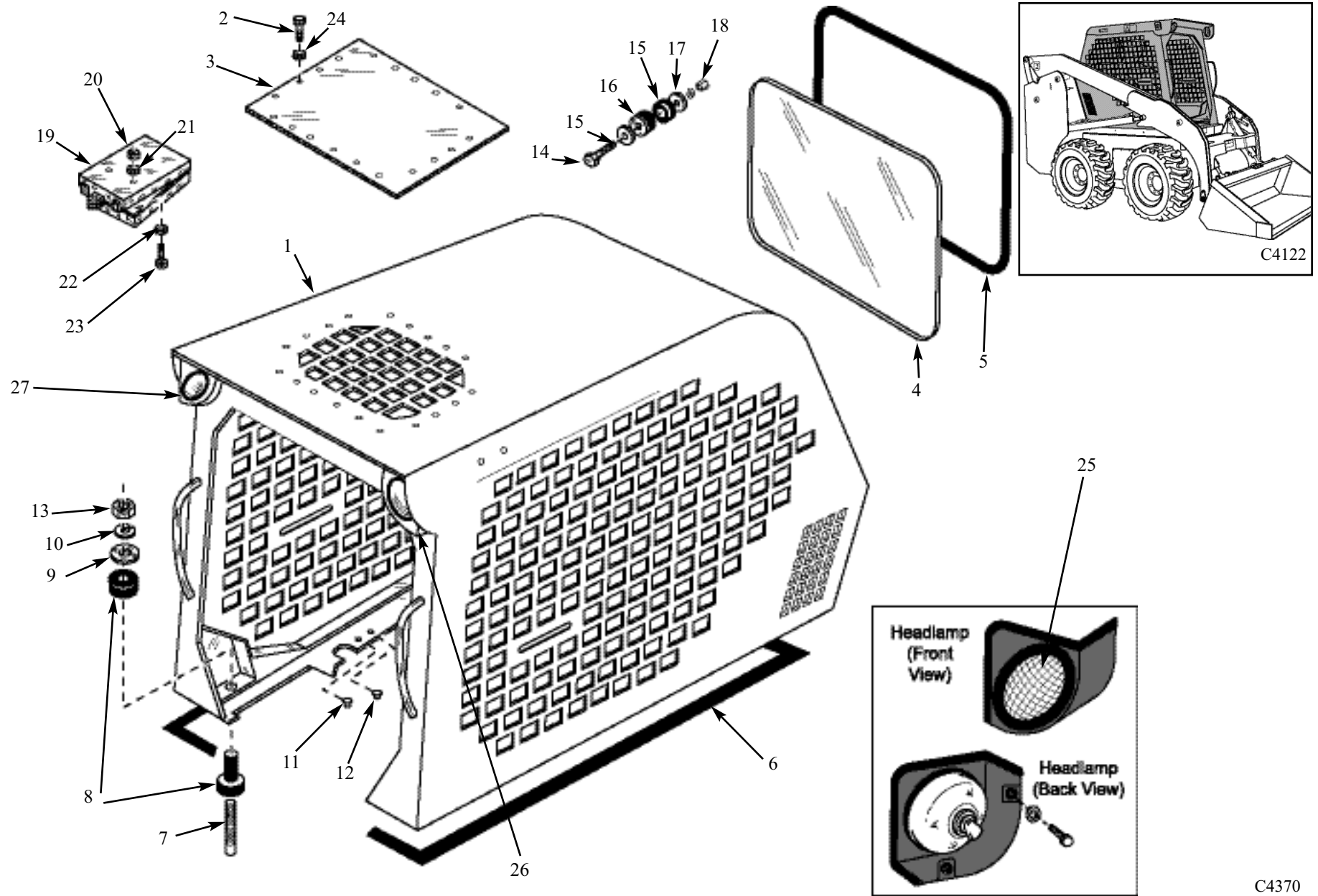
\* Not Shown

# LIFT ARMS and PIVOT PINS





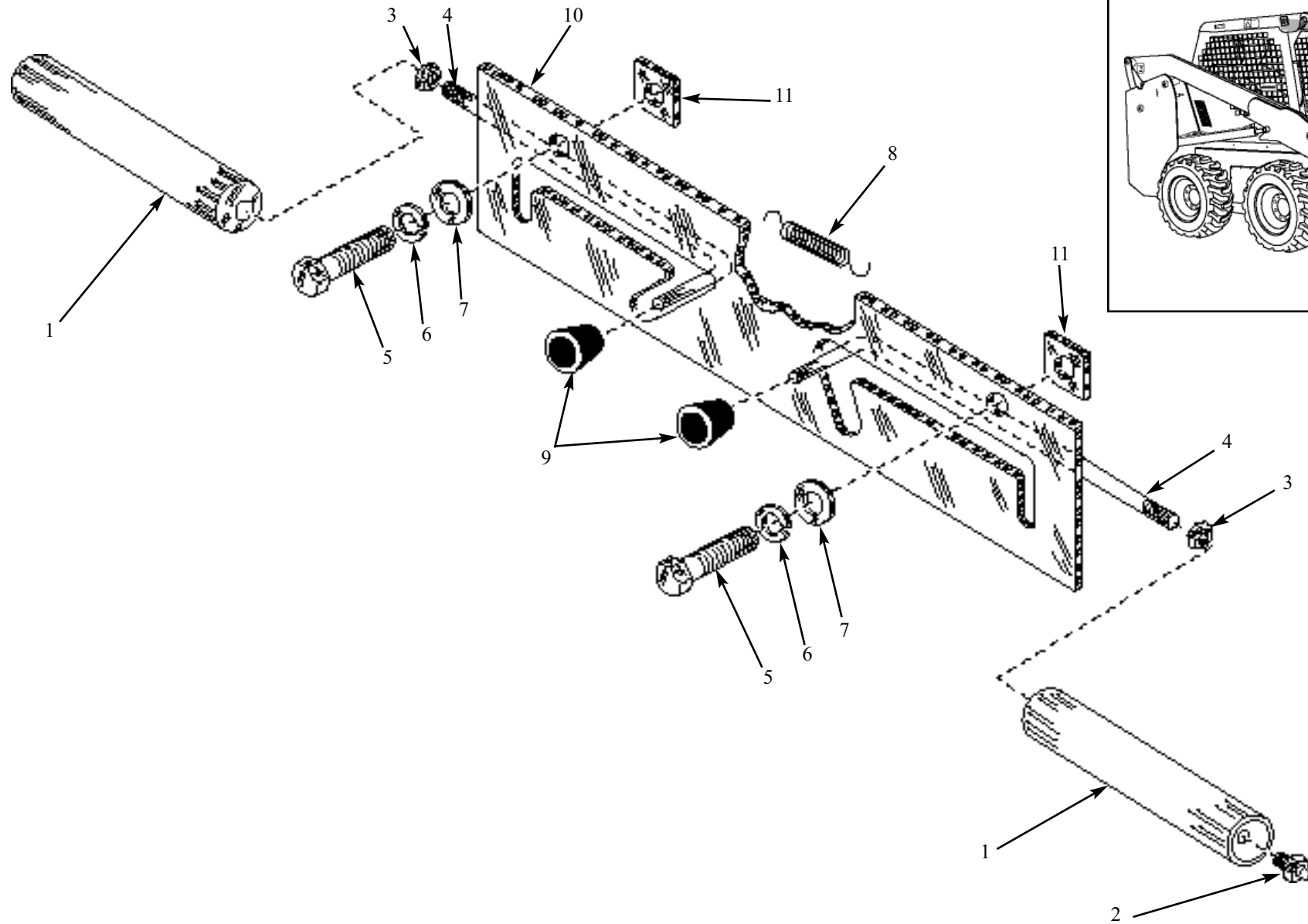
ITEM	PART	QTY	DESCRIPTION
1.	964379SP	1	Lift Arm Ass'y
2.	048659SP	4	Hardened Pins
3.	048660SP	4	Hardened Pins
4.	964348SP	1	Front Linkage Ass'y, R.H.
	964496SP	1	Front Linkage Ass'y, L.H.
5.	964495SP	1	Rear Linkage Ass'y, L.H.
	964347SP	1	Rear Linkage Ass'y, R.H.
6.	048658SP	2	Hardened Pin Ass'y
7.	048657SP	2	Hardened Pin Ass'y
8.	043012SP	2	Rubber Bumper
9.	043020SP	6	Spacer Washer
10.	008613SP	2	Lock Nut
11.	043634SP	2	Hardened Pin Ass'y
12.	048885SP	2	Pin, Boom Lift Cyl., Fixed End
13.	025091SP	4	Nut, Hex 5/8" UNC
14.	003322SP	6	Bolt, Hex 3/8" x 3-1/4"
15.	022810SP	2	Bolt, Hex 3/8" x 3-3/4"
16.	001671SP	6	Bolt, Hex 3/8" x 3"
17.	007465SP	14	Nut, Nylok 3/8" UNC
*	002010SP	8	Grease Fittings, Str.



ITEM	PART	QTY	DESCRIPTION
1.	964518SP	1	ROPS Painted Ass'y
2.	031744SP	12	Screw, Hex Head
3.	037808SP	1	Window, Top
4.	046303SP	1	Window, Rear
5.	015750SP	8 ft	Weatherstrip, Glass Setting, Up To LS000294
	049739SP	6.35ft	Weatherstrip,2 Pc., LS000295 Onward
	049740SP	6.35ft	Weather strip Lock Strip,LS000295 Onward
	049374SP	1	Decal,Exit Pull Tab, LS000295 Onward
6.	000917SP	14ft	Weatherstrip (50 ft. roll)
7.	017633SP	4	Bar, ROPS Mounting Stud
8.	048942SP	4	Isolator, Neoprene
9.	023452SP	4	Snubbing Washer, ROPS
10.	001647SP	4	Washer, Lock
11.	039537SP	2	Plug, Buttonhole 7/16"
12.	039126SP	1	Plug, Buttonhole 1/2"
13.	016608SP	4	Nut, Nylok
14.	002898SP	1	Bolt, Hex
15.	020235SP	2	Washer, Snubbing
16.	048941SP	1	Isolator, Neoprene
17.	020861SP	1	Washer, Lock
18.	008613SP	1	Nut, Nylok
19.	053143SP	1	Manual Holder
20.	006645SP	3	Lock Nut
21.	018455SP	3	Washer
22.	001650SP	3	Washer
23.	005170SP	3	Bolt, Hex
*	000820SP	28"	Edging, Vinyl
24.	018455SP	12	Washer, #14 x 5/8" Galv.
25.	046836SP	2	Lamp, Oval
26.	963681SP	1	Oval Lamp Mounting Assembly, Left Hand
27.	963862SP	1	Oval Lamp Mounting Assembly Right Hand

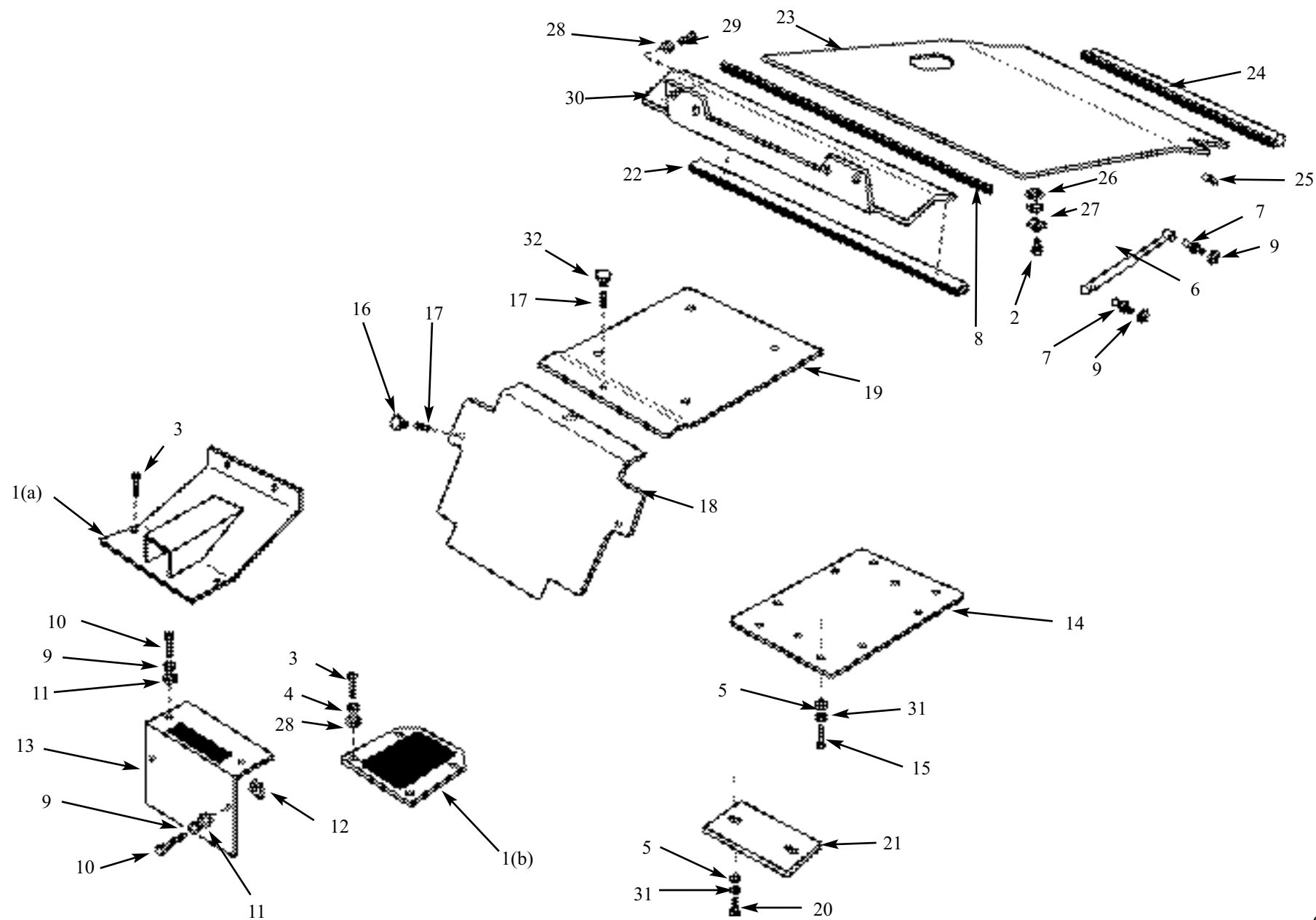
# BOOM SUPPORTS

1.6



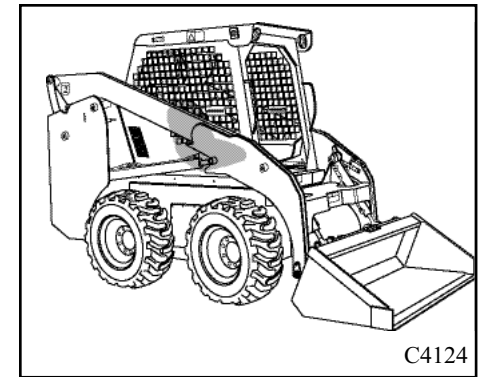
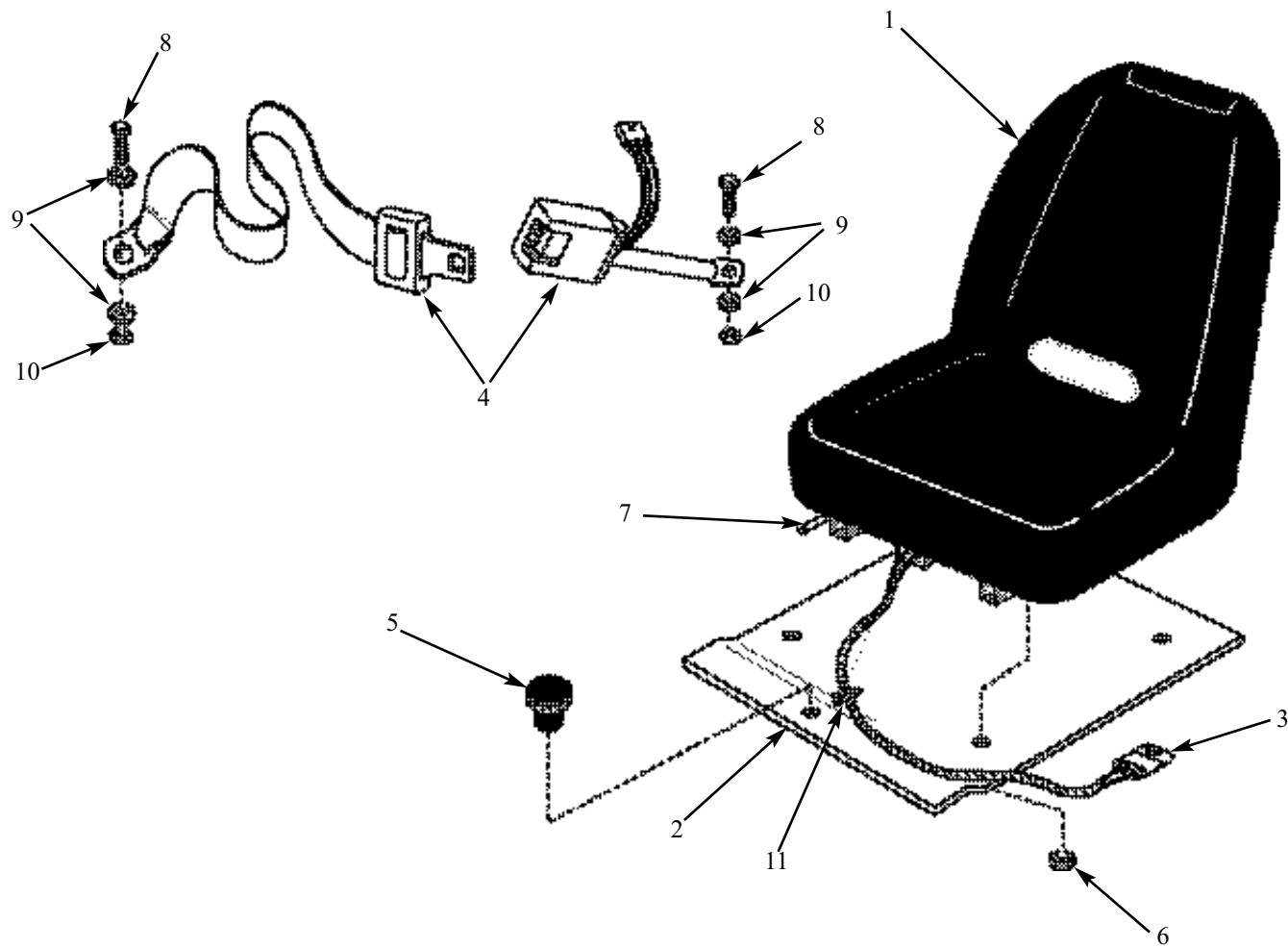
C2019

ITEM	PART	QTY	DESCRIPTION
1.	004406SP	2	Pin, Boom Support
2.	002010SP	2	Grease Fitting
3.	001350SP	2	Nut, Hex
4.	040337SP	2	Bar, Lock Pin Handle
5.	001190SP	2	Bolt, Hex
6.	001870SP	2	Washer, Lock
7.	001651SP	2	Washer, Flat
8.	042490SP	1	Spring
9.	039546SP	2	Knob, Tapered Red
10.	038797SP	1	Panel, Boom Support
11.	006086SP	2	Nut, Captive



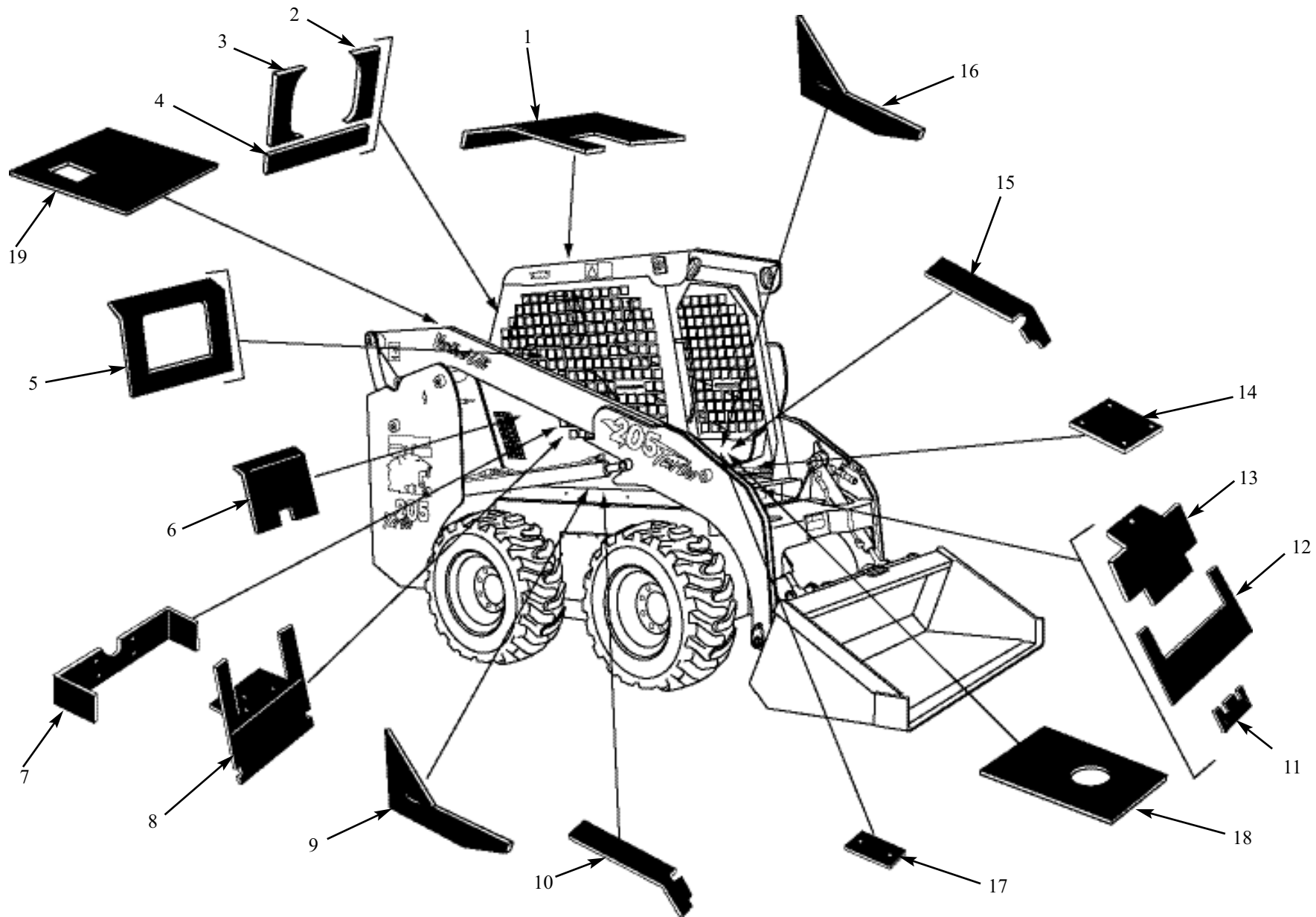
ITEM	PART	QTY	DESCRIPTION
1(a).	963266SP	1	Step Shield Assy, Hand Controls
1(b).	044797SP	1	Sheet, Step Shield, Foot Operated Controls
2.	007723SP	2	Bolt, Hex
3.	002663SP	4	Bolt, Hex
4.	001650SP	4	Washer, Lock
5.	001643SP	4	Washer, Flat
6.	043004SP	1	Spring, Gas 100 lb.
7.	043005SP	2	Stud, Ball
8.	000820SP	3.0ft	Edging, Vinyl
9.	001870SP	8	Washer, Lock
10.	001190SP	8	Bolt, Hex
11.	001651SP	8	Washer, Flat
12.	006086SP	4	Nut, Captive
13.	025762SP	1	Shield, Front Step
14.	047150SP	1	Plate, Rear Access Cover
15.	001387SP	10	Bolt, Hex
16.	041791SP	2	Knob, Black w/Brass Insert
17.	041704SP	2	Bar, Stud
18.	963106SP	1	Front Bulkhead Assy.
19.	041619SP	1	Sheet, Seat Mount
20.	001193SP	4	Bolt, Hex
21.	032070SP	1	Sheet, Cleap Up Cover
22.	000917SP	3.0ft	Foam Weather Strip
23.	964443SP	1	Engine Cover Assy.
24.	000821SP	2.5ft	Molding, Trim Seal
25.	000261SP	.0833ft	Hose, Engine Cover Stop
26.	039557SP	4	Clamp, Tube Single
27.	039556SP	2	Plate, Cover Single
28.	001650SP	4	Washer, Flat
29.	031744SP	4	Screw, Hex Head
30.	051840SP	1	Sheet, Rear Shield
31.	001642SP	1	Knob

# SEAT & SEAT BELT





ITEM	PART	QTY	DESCRIPTION
1.	038600SP	1	Seat, Assembly w/ Logo
2.	041619SP	1	Sheet, Seat Mount
3.	039904SP	1	Harness, Seat Switch Wire
	038516SP	1	Switch, Seat
4.	047422SP	1	Belt, Safety 2" (Non-Retractable)
5.	042070SP	1	Knob, Black w/ Stud
6.	043558SP	4	Nut, Hex
7.	042931SP	1	Adjusters, Seat Rail Assy.
8.	001193SP	2	Bolt, Hex
9.	001643SP	4	Washer, Flat
10.	007465SP	2	Nut, Nylok
11.	040581SP	1	Clip



ITEM	PART	QTY	DESCRIPTION
1.	049052SP	1	Insulation, Headliner (*In Optional Kit)
2.	047394SP	1	Insulation, Left Rear Cornerpost (*In Optional Kit)
3.	047395SP	1	Insulation, Right Rear Cornerpost (*In Optional Kit)
4.	047393SP	1	Insulation, Lower Rear Window Panel (*In Optional Kit)
5.	048023SP	1	Insulation, Back Panel (*In Optional Kit)
6.	047392SP	1	Insulation, Battery Compartment Cover (*In Optional Kit)
7.	047412SP	1	Insulation, Outer Blanket
8.	047411SP	1	Insulation, Battery Box Blanket
9.	048022SP	1	Insulation, Right Side Panel (*In Optional Kit)
10.	047410SP	1	Insulation, ROPS Shield, RH
11.	047965SP	1	Insulation, Front Frame
12.	047964SP	1	Insulation, Front Shield
13.	047406SP	1	Insulation, Front Bulkhead
14.	047404SP	1	Insulation, Seat Mount
15.	047409SP	1	Insulation, ROPS Shield LH
16.	048021SP	1	Insulation, Left Side Panel (*In Optional Kit)
17.	047967SP	1	Insulation, Panel Access
18.	047966SP	1	Insulation, Pump Mount
19.	049458SP	1	Insulation, Engine Cover
*	052884SP	1	Insulation, 205 Oil Tank(In Option Kit)
*	052965SP	1	Insulation, 205 Shroud Back Up (In Option Kit)
*	052966SP	1	Insulation,205 Shroud Back Lower (In Option Kit)
*	053024SP	1	Insulation, 205 Oil Tank ( In Option Kit)
*	053025SP	1	Insulation, 205 Oil tank (In Option Kit)
*	053026SP	1	Insulation,205 Fuel Tank ( In Option Kit)

\* Not Shown

# WHEELS and TIRES

1.10

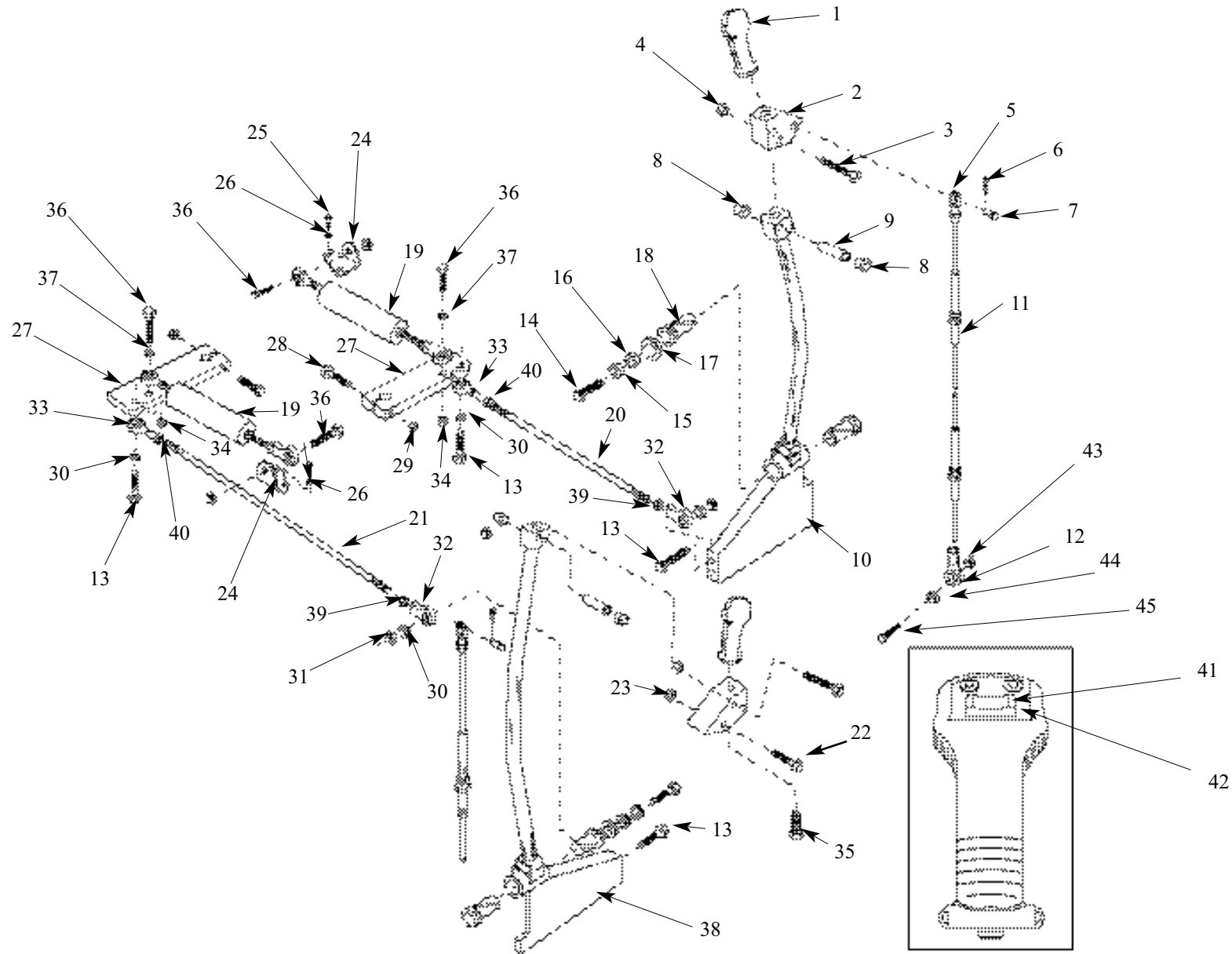
PART	QTY	DESCRIPTION
<b>963708SP</b>	<b>1</b>	<b>Kit, Tire 12 x 16.5, 2000 Series</b>
<b>046860SP</b>	<b>2</b>	<b>Wheel &amp; Tire Assy RH, 12 x 16.5, 8 Bolt</b>
046435SP	1	Tire, 12 x 16.5 2000 Series 8 Ply Tubeless
036491SP	1	Wheel, 9.750 x 16.50 8 Bolt Negative (-) 2.25"
007019SP	1	Stem, Valve, Tubeless
<b>046861SP</b>	<b>2</b>	<b>Wheel &amp; Tire Assy LH, 12 x 16.5, 8 Bolt</b>
046435SP	1	Tire, 12 x 16.5 2000 Series 8 Ply Tubeless
036491SP	1	Wheel, 9.750 x 16.50 8 Bolt Negative (-) 2.25"
007019SP	1	Stem, Valve, Tubeless
<b>005832SP</b>	<b>32</b>	<b>Nut, Wheel</b>

## 2. CONTROLS

Control Levers Up To S/N LS000318 .....	2.1A
Control Levers S/N LS000319 Onward .....	2.1B
Foot Pedals.....	2.2
Throttle.....	2.3
Restraint Bar.....	2.4

# CONTROL LEVER Up To S/N LS000318

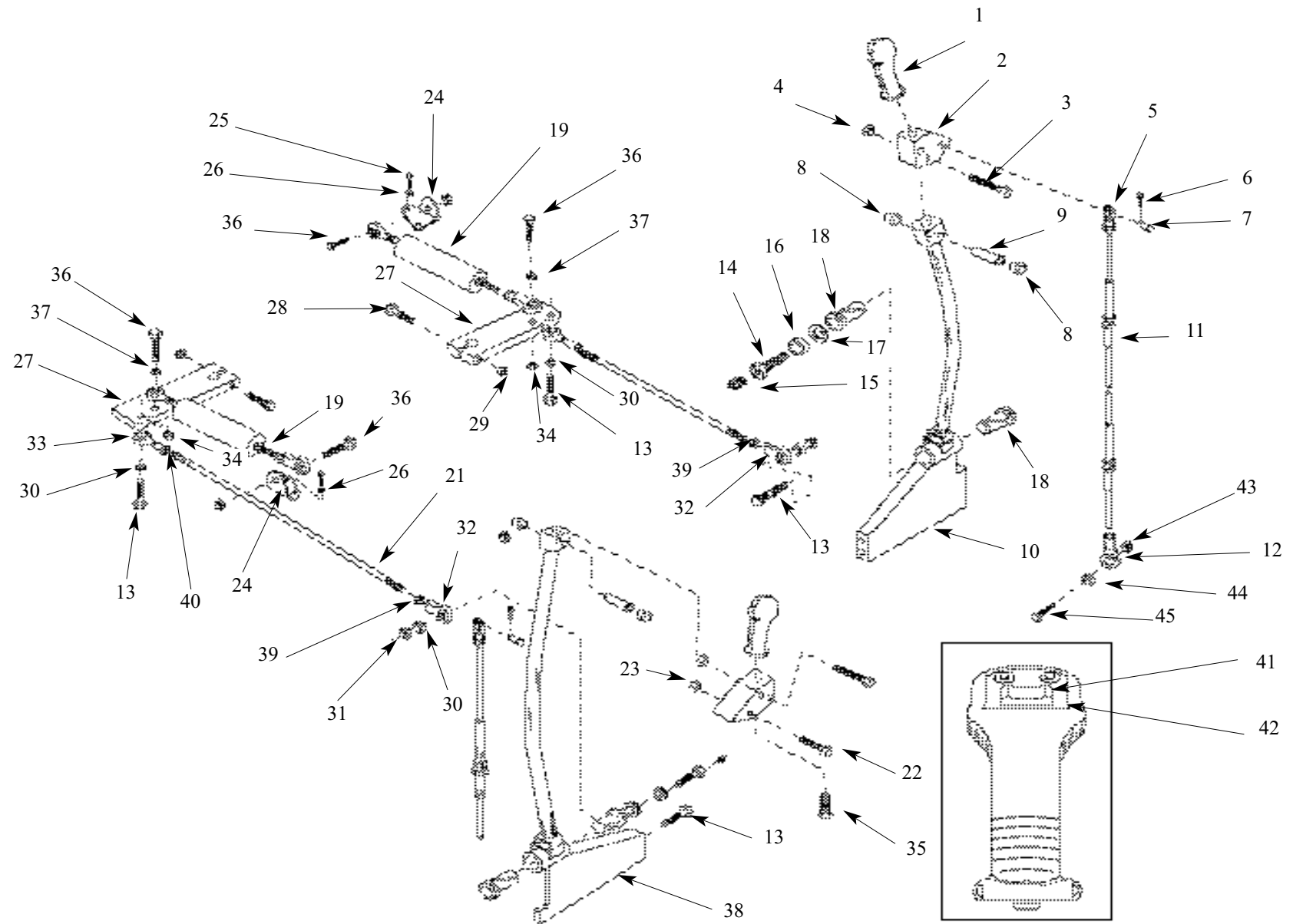
2.1A



ITEM	PART	QTY	DESCRIPTION
1.	044181SP	1	Handle, Ergonomic Plain
	044182SP	1	Handle, Ergonomic w/Rocker Switch
2.	962874SP	2	Lever Base Erg Ass'y.
3.	025589SP	2	Bolt, Hex
4.	023772SP	2	Nut, Jam, Locking
5.	035884SP	2	Clevis (Hand Control Loaders Only)
6.	001630SP	2	Cotter Pin (Hand Control Loaders Only)
7.	030044SP	2	Clevis Pin (Hand Control Loaders Only)
8.	044348SP	4	Flange Bushing
9.	044349SP	2	Tube, Handle Spacer
10.	963348SP	1	Control Lever, L.H.
11.	047426SP	2	Cable, Push-Pull (Hand Control Loaders Only)
12.	035883SP	2	Rod End Ass'y (Hand Control Loaders Only)
13.	002008SP	4	Bolt, Hex
14.	001190SP	2	Bolt,
15.	001870SP	2	Washer, Lock,
16.	001643SP	2	Washer, Flat,
17.	029384SP	2	Washer, Fender,
18.	044347SP	4	Flange, Bushing
19.	964357SP	2	Hydroback Ass'y
20.	046756SP	1	Bar, Pintle Linkage, L.H.
21.	044450SP	1	Bar, Pintle Linkage, R.H.
22.	001677SP	2	Bolt, Hex
23.	016771SP	2	Nut, Nylok, Hex
24.	046366SP	2	Hydroback Mount
25.	021559SP	4	Bolt
26.	021029SP	4	Washer
27.	964350SP	2	Pintle Lever Ass'y, Up To LS000414
	052171SP	2	Pintle Lever, LS000415 Onward
28.	001677SP	2	Bolt
29.	016771SP	2	Nut, Nylok Hex
30.	006394SP	6	Washer, Lock
31.	043384SP	2	Nut, Nylok
32.	042207SP	2	Rod End Ass'y, Female
33.	042208SP	2	Rod End Ass'y, Female
34.	007465SP	4	Nut, Nylok
35.	044513SP	2	Bolt, Ergonomic Handle (w/Hole)
	046353SP	2	Bolt, Hex (No Holes)
36.	002008SP	4	Bolt, Hex
37.	021174SP	4	Washer
38.	963349SP	1	Control Lever, R.H.
39.	005406SP	2	Nut, Hex. 7/16" UNF R.H.
40.	042211SP	2	Nut, Hex. 7/16" UNF L.H.
41.	048467SP	1	Rocker Switch
42.	048468SP	1	Rocker Switch Cover
43.	006645SP	2	Nut, Nylok, 1/4" UNC Plated
44.	051108SP	1	Spacer Bushing, Left Hand Side Only
45.	002454SP	1	Bolt, 1/4 x 1-1/2 UNC Pl, Left Side Only
45.	005170SP	1	Bolt, 1/4 X 1 UNC Pl., Right Side Only
*	051126SP	2	Boot, Rubber Bellows,Control Lever

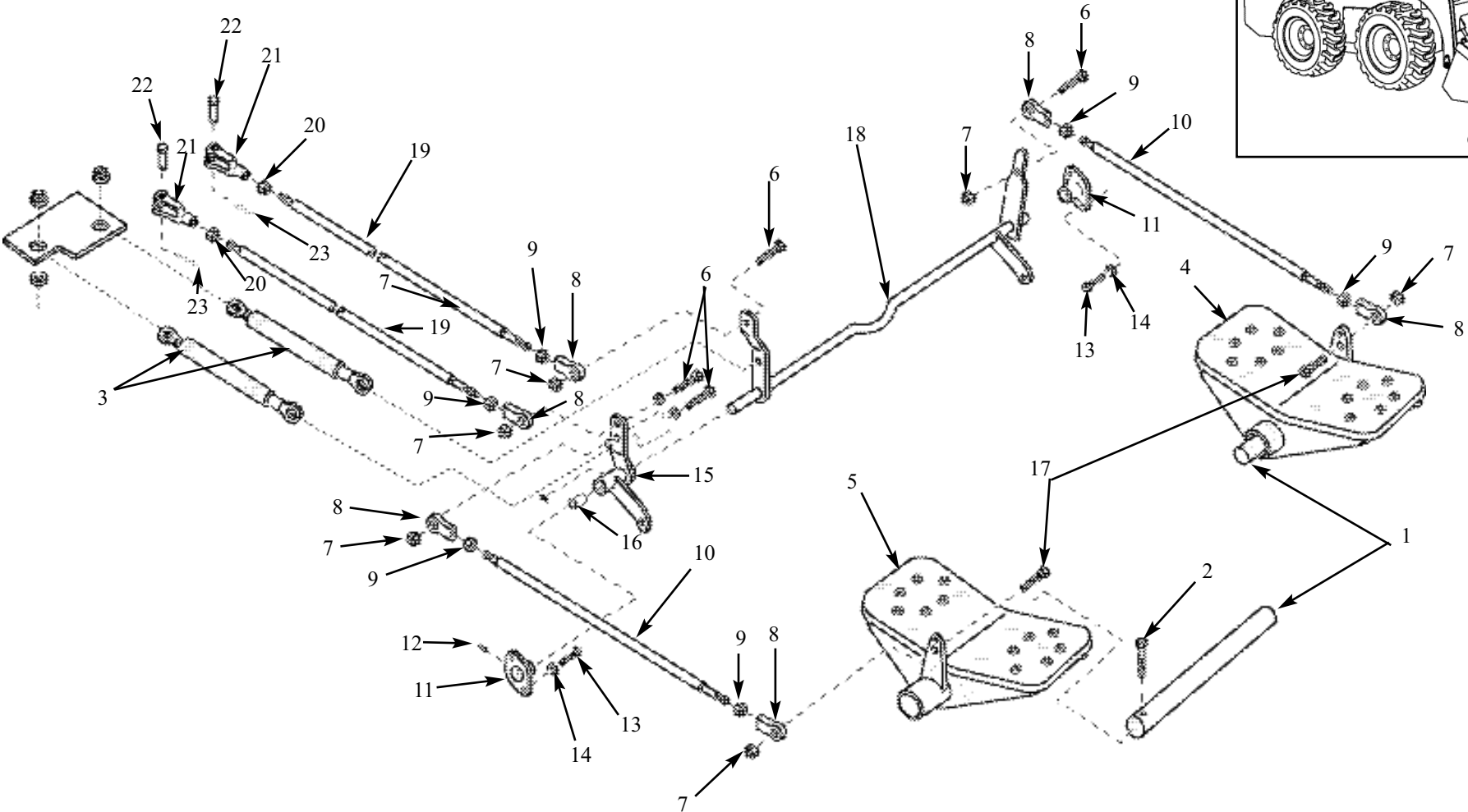
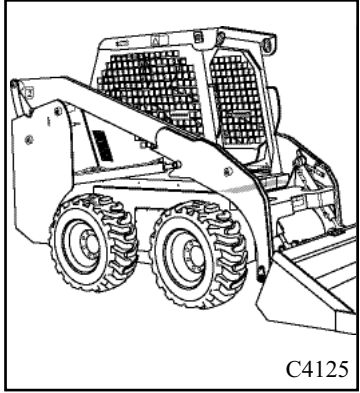
# CONTROL LEVER S/N LS000319 Onward

2.1B





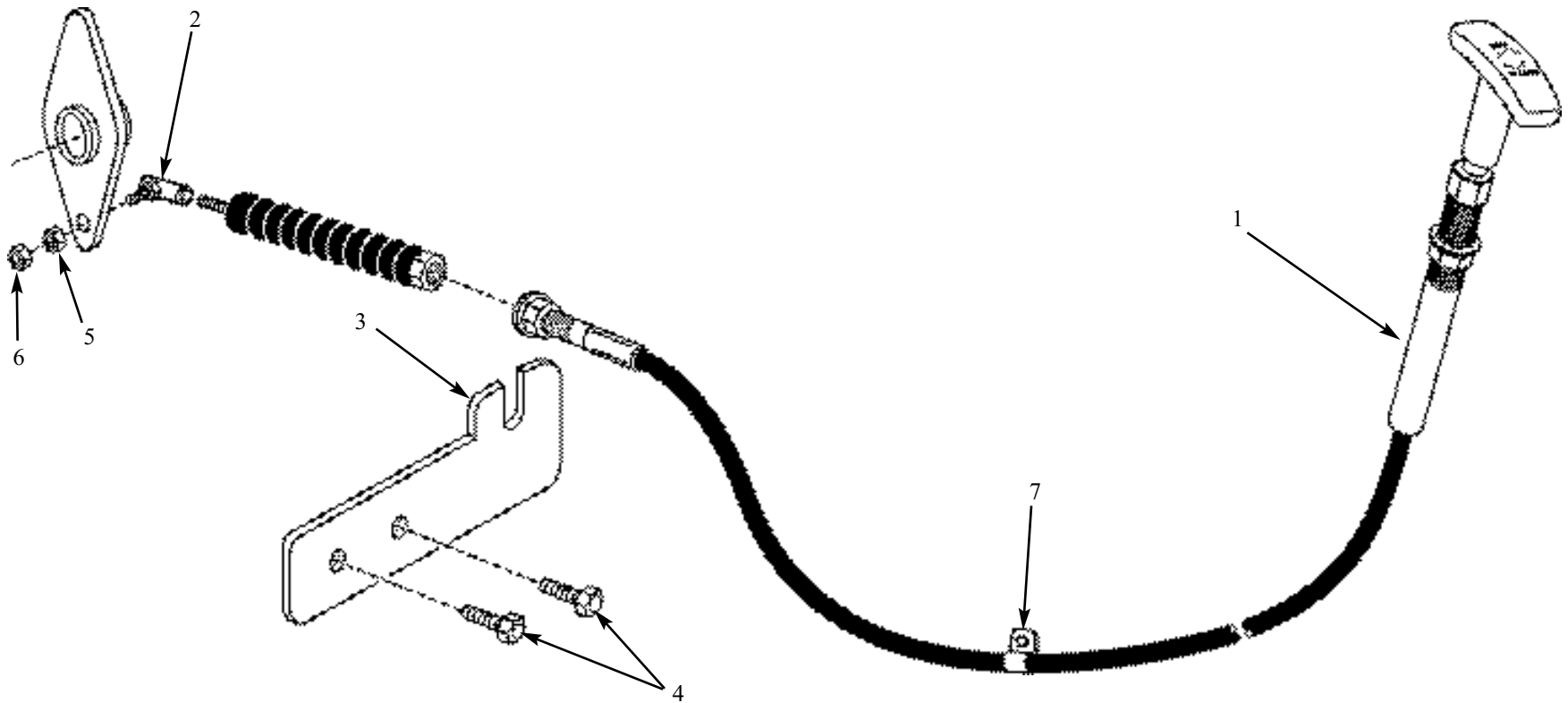
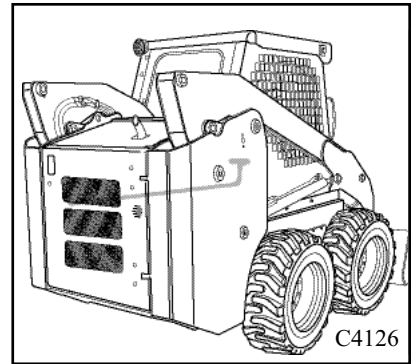
ITEM	PART	QTY	DESCRIPTION				
				40.	042211SP	2	Nut, Hex. 7/16" UNF L.H.
				41.	048467SP	1	Rocker Switch
				42.	048468SP	1	Rocker Switch Cover
				43.	006645SP	2	Nut, Nylok, 1/4" UNC Plated
				44.	051108SP	1	Spacer Bushing, Left Hand Side Only
				45.	002454SP	1	Bolt, 1/4 x 1-1/2 UNC Pl, Left Side Only
				45.	005170SP	1	Bolt, 1/4 X 1 UNC Pl., Right Side Only
				*	051126SP	2	Boot, Rubber Bellows, Control Lever
1.	044181SP	1	Handle, Ergonomic Plain				
	044182SP	1	Handle, Ergonomic w/Rocker Switch				
2.	962874SP	2	Lever Base Erg Ass'y				
3.	025589SP	2	Bolt, Hex				
4.	023772SP	2	Nut, Jam, Locking				
5.	035884SP	2	Clevis (Hand Control Loaders Only)				
6.	001630SP	2	Cotter Pin (Hand Control Loaders Only)				
7.	030044SP	2	Clevis Pin (Hand Control Loaders Only)				
8.	044348SP	4	Flange Bushing				
9.	044349SP	2	Tube, Handle Spacer				
10.	963348SP	1	Control Lever, L.H.				
11.	047426SP	2	Cable, Push-Pull (Hand Control Loaders Only)				
12.	035883SP	2	Rod End Ass'y (Hand Control Loaders Only)				
13.	002008SP	4	Bolt, Hex				
14.	051155SP	2	Bolt, Hex, Control Lever				
15.	002010SP	2	Grease Fitting				
16.	020861SP	2	Washer, Lock, 1/2"				
17.	023385SP	2	Washer, Flat				
18.	044347SP	4	Flange, Bushing				
19.	964357SP	2	Hydroback Ass'y				
20.	046756SP	1	Bar, Pintle Linkage, L.H.				
21.	044450SP	1	Bar, Pintle Linkage, R.H.				
22.	001677SP	2	Bolt, Hex				
23.	016771SP	2	Nut, Nylok, Hex				
24.	046366SP	2	Hydroback Mount				
25.	021559SP	4	Bolt				
26.	021029SP	4	Washer				
27.	964350SP	2	Pintle Lever Ass'y, Up To LS000414				
	052171SP	2	Pintle Lever, LS000415 Onward				
28.	001677SP	2	Bolt				
29.	016771SP	2	Nut, Nylok Hex				
30.	006394SP	6	Washer, Lock				
31.	043384SP	2	Nut, Nylok				
32.	042207SP	2	Rod End Ass'y, Female				
33.	042208SP	2	Rod End Ass'y, Female				
34.	007465SP	4	Nut, Nylok				
35.	044513SP	2	Bolt, Ergonomic Handle (w/Hole)				
	046353SP	2	Bolt, Hex (No Holes)				
36.	002008SP	4	Bolt, Hex				
37.	021174SP	4	Washer				
38.	963349SP	1	Control Lever, R.H.				
39.	005406SP	2	Nut, Hex. 7/16" UNF R.H.				



ITEM	PART	QTY	DESCRIPTION
1.	044789SP	2	Bar, Foot Pedal Shaft
2.	046106SP	2	Screw
3.	047371SP	2	Dampener, Self-Centering, 9 lbs.
4.	965495SP	1	Pedal Lift Assy.
5.	965496SP	1	Pedal Lift Assy.
6.	002580SP	4	Bolt, Hex
7.	016771SP	6	Nut, Nylok
8.	026174SP	6	Rod End Assy.
9.	001626SP	6	Nut, Hex
10.	044762SP	2	Bar, Valve Control Front
11.	044979SP	2	Bearing, Flanged, 2-Bolt
12.	002010SP	2	Grease Fitting
13.	002593SP	4	Bolt, Hex
14.	001870SP	4	Washer, Lock
15.	963900SP	1	Activator, RH Assy.
16.	047760SP	2	Bronze Bushing
17.	046159SP	2	Bolt, Carriage
18.	963905SP	1	Assy, Control Cross Shaft
19.	044763SP	2	Bar, Valve Control Rear
20.	005405SP	2	Nut
21.	035884SP	2	Clevis
22.	030044SP	2	Pin, Clevis
23.	001630SP	2	Cotter Pin

# THROTTLE

2.3

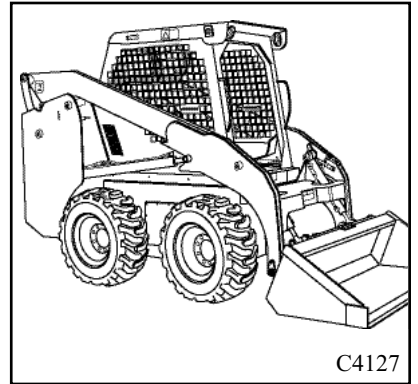
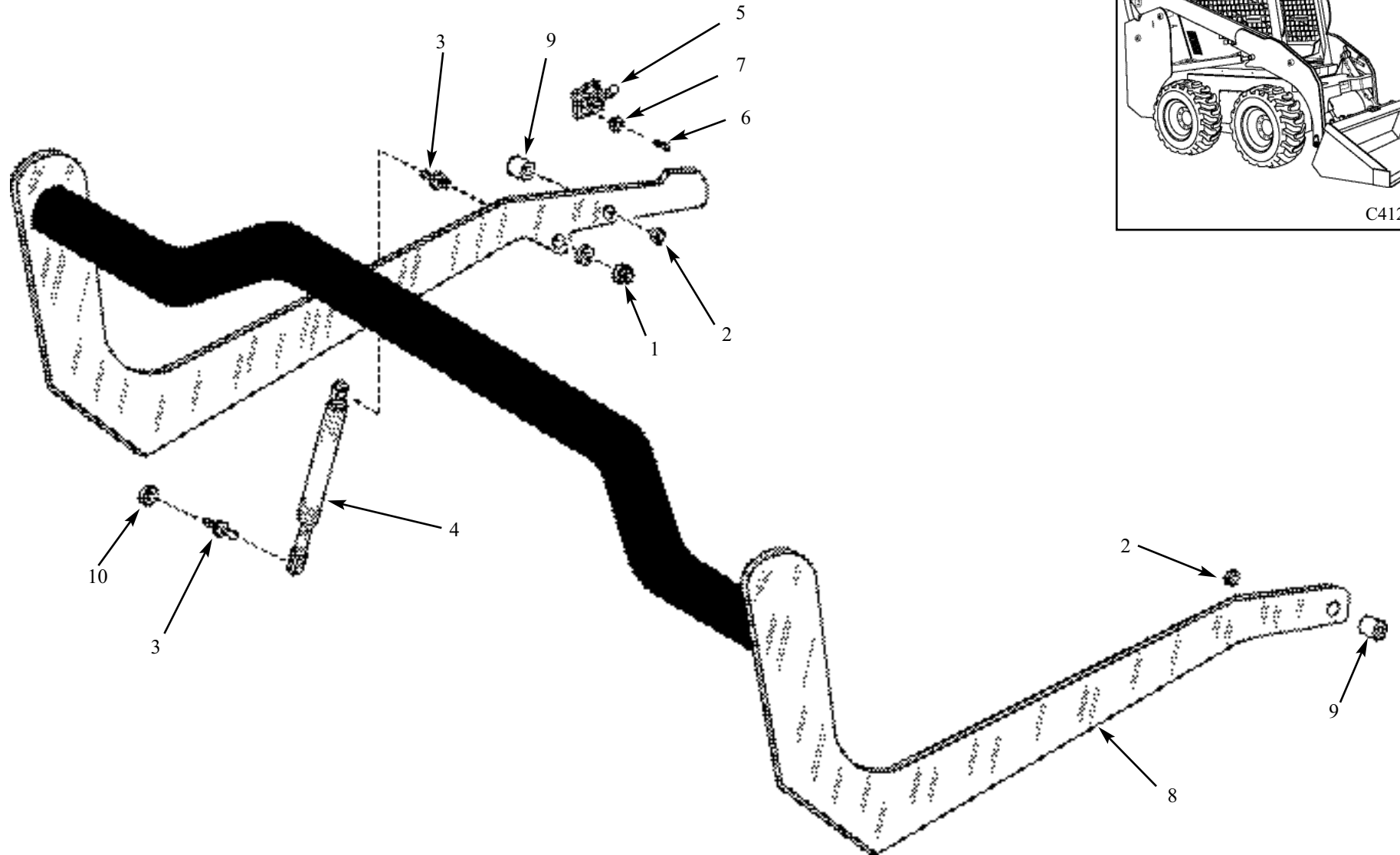


C4371

<b>ITEM</b>	<b>PART</b>	<b>QTY</b>	<b>DESCRIPTION</b>
1.	043840SP	1	Cable, Turn-to-Lock 68"
2.	042047SP	1	Joint, Ball Socket
3.	051118SP	1	Throttle Bracket
4.	049205SP	2	Bolt, Hex
5.	001350SP	2	Nut
6.	023772SP	1	Nut, Jam
7.	040581SP	1	Clip, Cable

# RESTRAINT BAR

2.4



<b>ITEM</b>	<b>PART</b>	<b>QTY</b>	<b>DESCRIPTION</b>
1.	026172SP	1	Nut, Jam
2.	008613SP	2	Nut, Nylok
3.	043005SP	2	Stud, Ball
4.	043004SP	1	Gas Spring
5.	042950SP	1	Switch, Dual
6.	046034SP	2	Screw, Self Tapping
7.	002811SP	2	Washer, Lock
8.	964600SP	1	Restraint Bar Ass'y
9.	040320SP	2	Spacer
10.	001870SP	1	Lockwasher

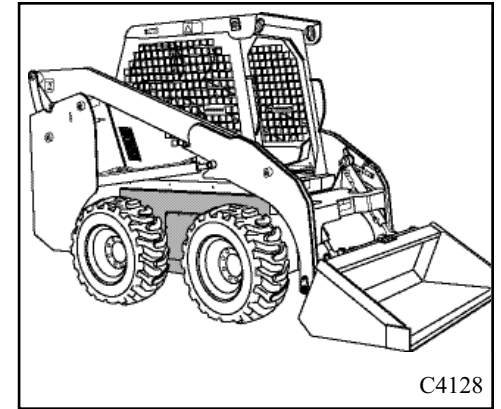
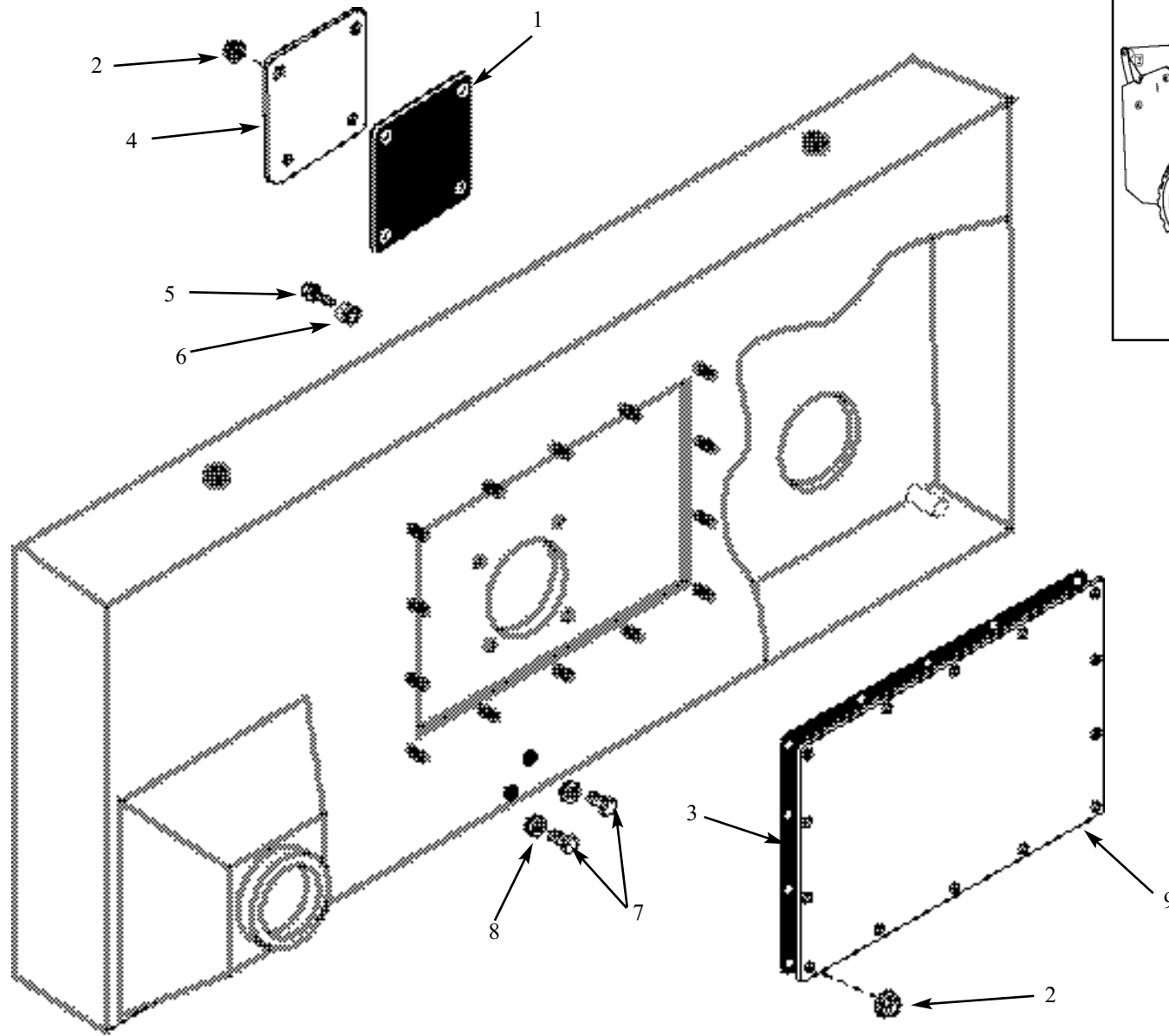
### **3. FINAL DRIVE TRANSMISSION**

Transmission Covers, Gaskets .....	3.1
Axle Assembly .....	3.2



# TRANSMISSION COVERS, GASKETS

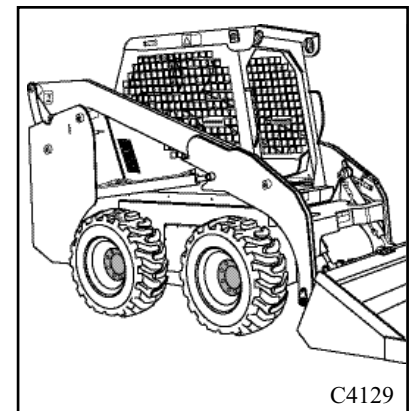
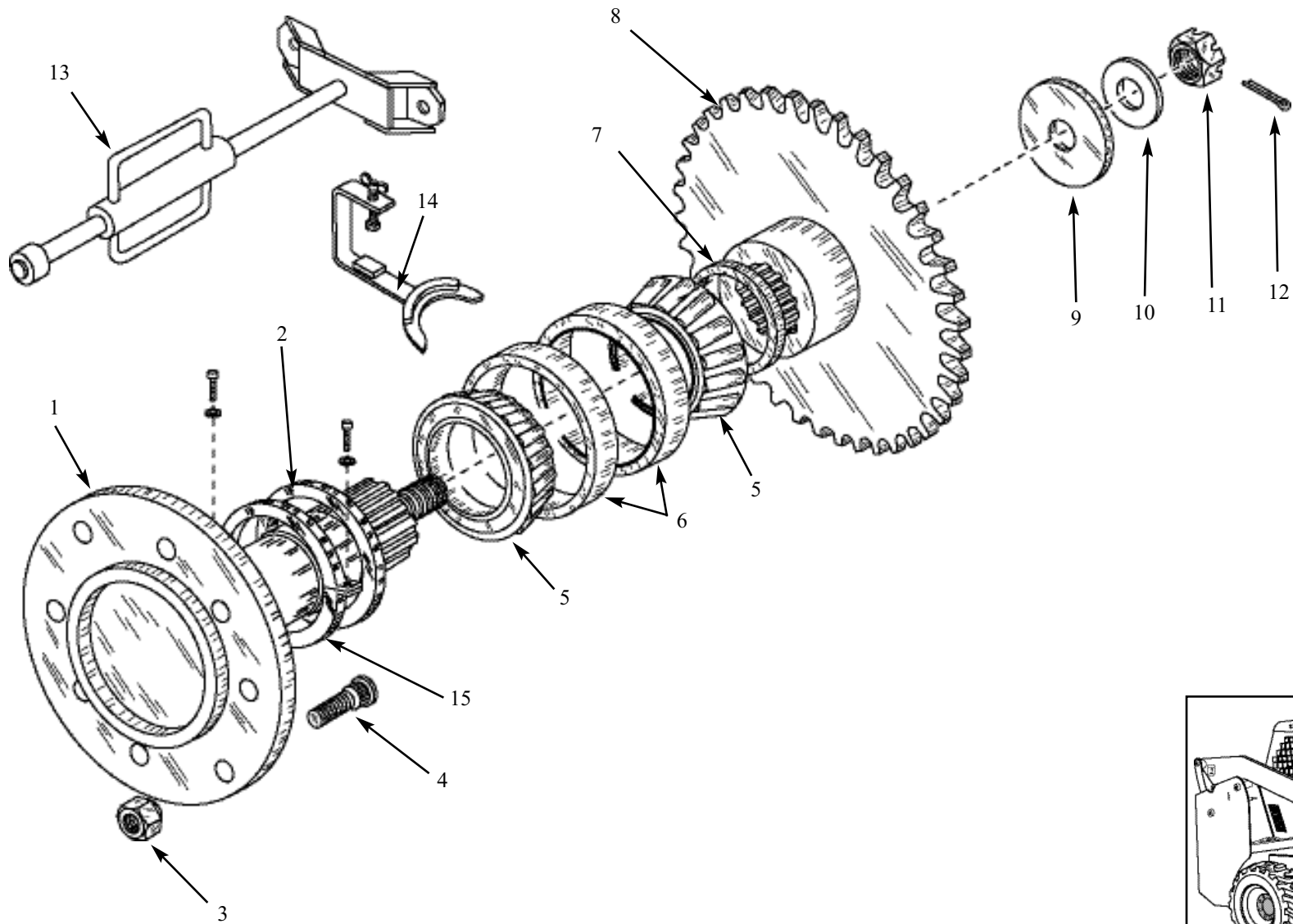
3.1



C5447

ITEM	PART	QTY	DESCRIPTION
1.	049270SP	4	Gasket,Axle Cover
2.	043558SP	44	Nut, Hex Flanged
3.	046455SP	1	Gasket, Transmission Inspection Cover
4.	051119SP	4	Axle Cover
5.	006377SP	2	Plug, Vented
6.	952766SP	2	Bushing, Breather Reducing
7.	044357SP	4	Plug, Drain
8.	044358SP	4	Washer, Nylon
9.	052416SP	2	Inspection Cover

\* Diagram shows RH side Transmission Housing only.



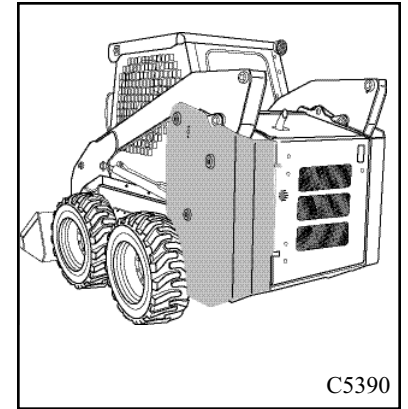
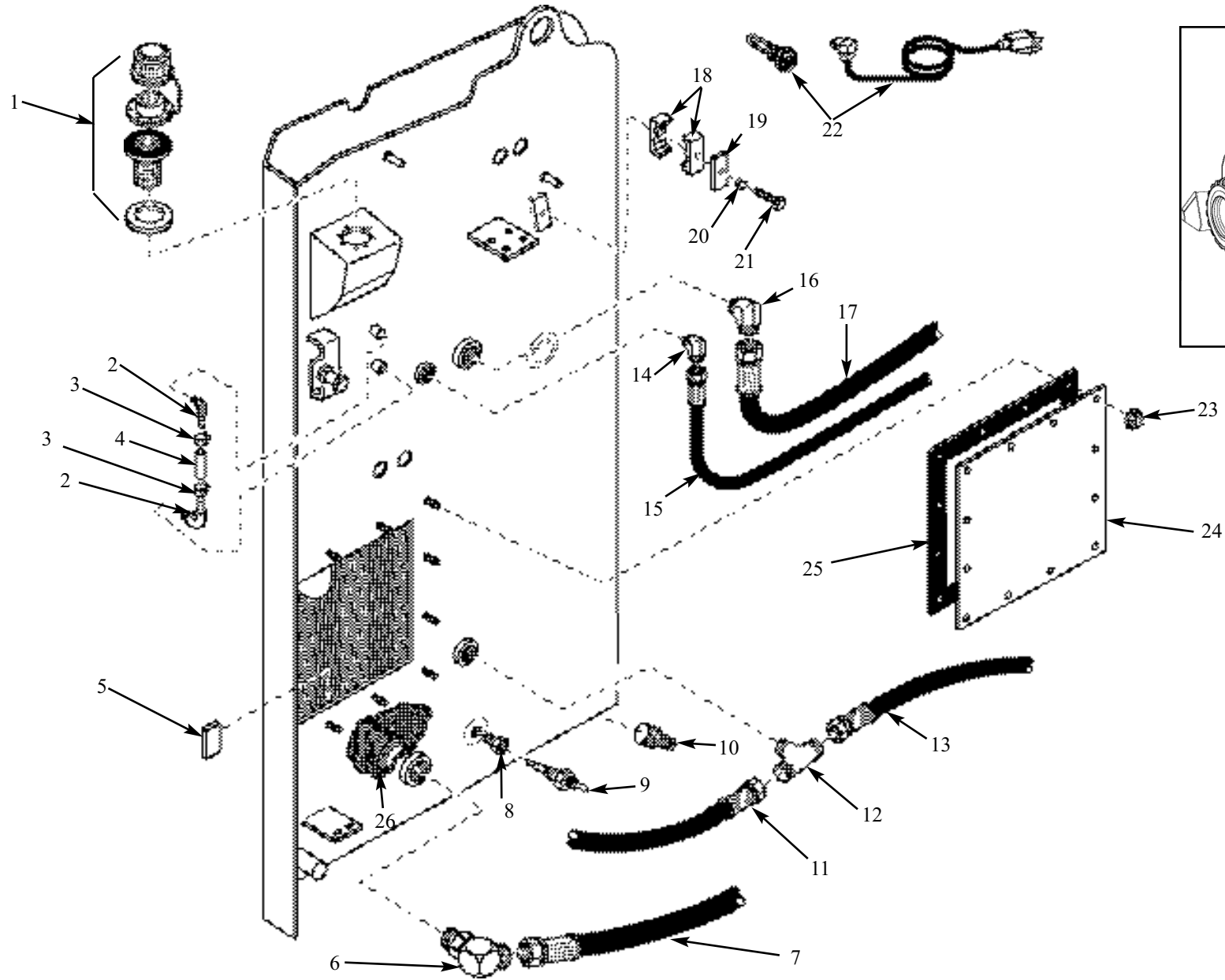
ITEM	PART	QTY	DESCRIPTION
1.	957785SP	1	Axle Assembly (4 required)
2.	029029SP	1	Seal
3.	005832SP	8	Nut, Wheel
4.	026188SP	8	Stud, Wheel
5.	026509SP	2	Bearing, Cone
6.	026510SP	2	Bearing, Cup
7.	025618SP	1	Plate, Axle Spacer
8.	026042SP	1	Sprocket, 27T100
9.	029361SP	1	Plate, Axle Washer
10.	022448SP	1	Washer,Axle
11.	014877SP	1	Nut, Castle
12.	001386SP	1	Pin, Cotter
13.	960475SP	1	Axle Puller
14.	958674SP	2	Seal Installation Tool
15.	962744SP	1	Seal Protector Kit (optional)

## 4. HYDRAULIC SYSTEM

Oil Reservoir .....	4.1
Hydraulic Oil Filter.....	4.2
Boom Lift Circuit (Standard).....	4.3
Fan / Radiator / Oil Cooler .....	4.4
Lift Cylinder.....	4.5
Bucket Tilt Circuit (Standard).....	4.6
Tilt Cylinder .....	4.7
Auxiliary Circuit .....	4.8
Control Valve .....	4.9

# OIL RESERVOIR

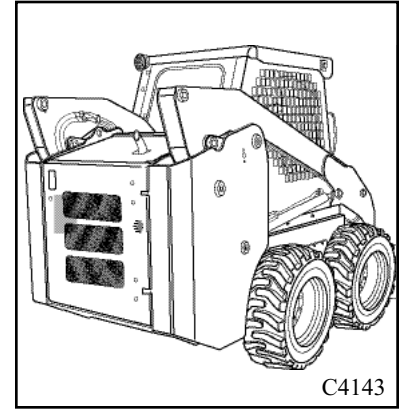
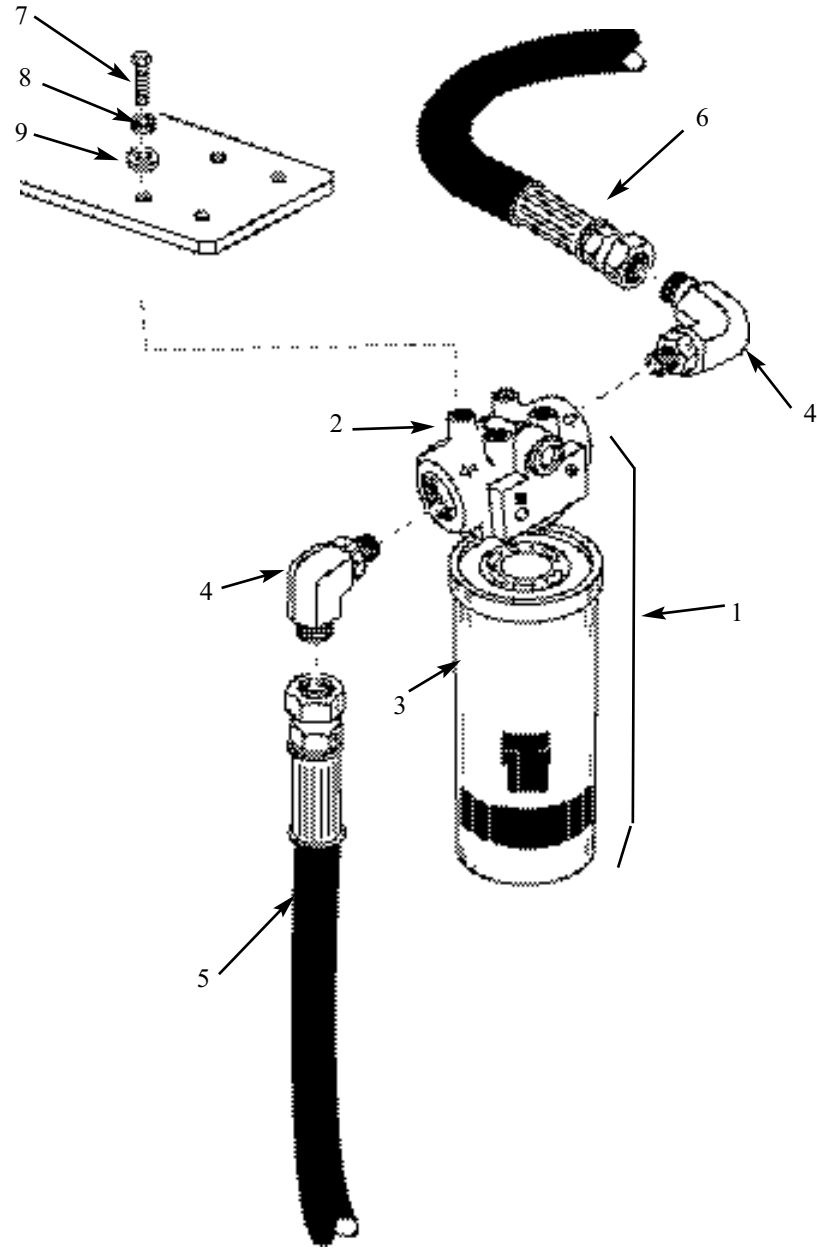
4.1



C3988

ITEM	PART	QTY	DESCRIPTION
1.	036733SP	1	Breather, Oil Filler Locking
	026202SP	1	Pressurized Filler Cap (Option)
2.	034903SP	1	Elbow, 90°
3.	034919SP	1	Clamp, Circle
4.	000698SP	4.3 in.	Tube, Clear Vinyl
5.	032478SP	1	Magnet, Hyd. Oil Tank
6.	049065SP	1	Con.nector
7.	964568SP	1	Hose, Hyd. 1" x 56"
8.	037208SP	1	Bushing, Reducing
9.	037206SP	1	Switch, Temperature Sender
10.	017144SP	1	Plug, Socket Head
11.	963853SP	1	Hyd. Hose (to charge pump)
12.	036849SP	1	Tee, Branch
13.	963851SP	1	Hyd. Hose (filter to tank)
14.	021701SP	1	Elbow, 90°
15.	963854SP	1	Hyd. Hose (return from brake block)
16.	019235SP	1	Elbow, 90°
17.	963852SP	1	Hyd. Hose (return from pump)
18.	038303SP	4	Clamp
19.	038472SP	2	Clamp Plate
20.	001870SP	1	Washer, Lock
21.	015433SP	1	Bolt
22.	030549SP	1	U-2515,Heater, Hyd. Oil (Optional)
23.	043558SP	12	Nut, Hex Flange
24.	052414SP	1	Cover, Inspection Hole
25.	046456SP	1	Gasket, Oil Tank Inspection Cover
26.	014898SP	1	Element, Hydraulic Oil Suction

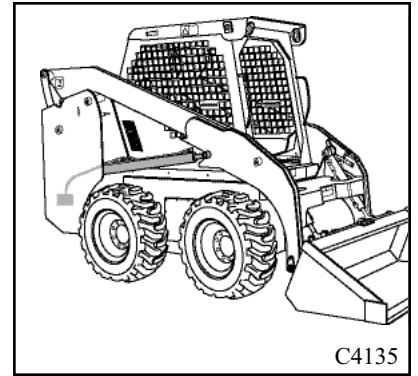
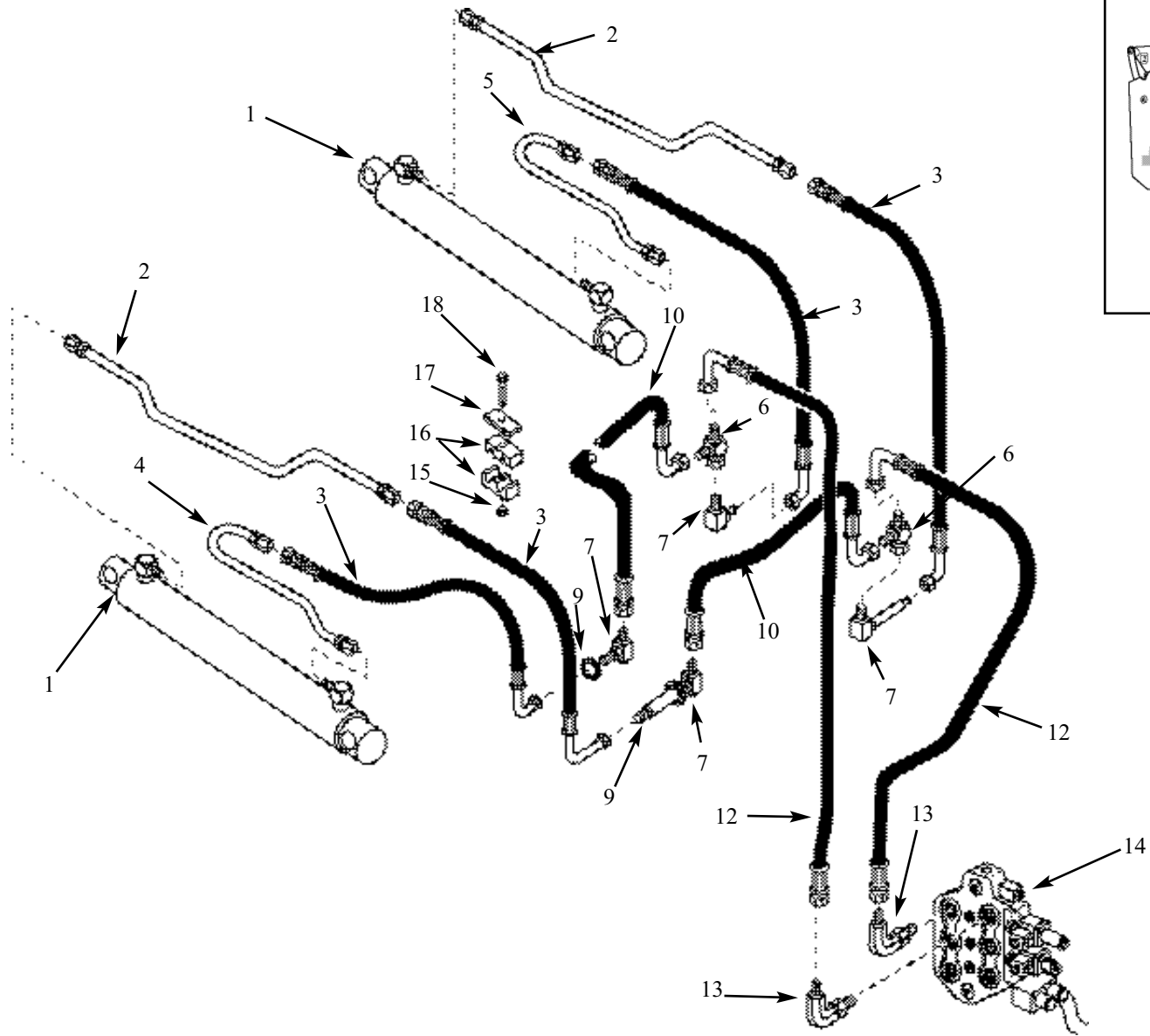
# HYDRAULIC OIL FILTER



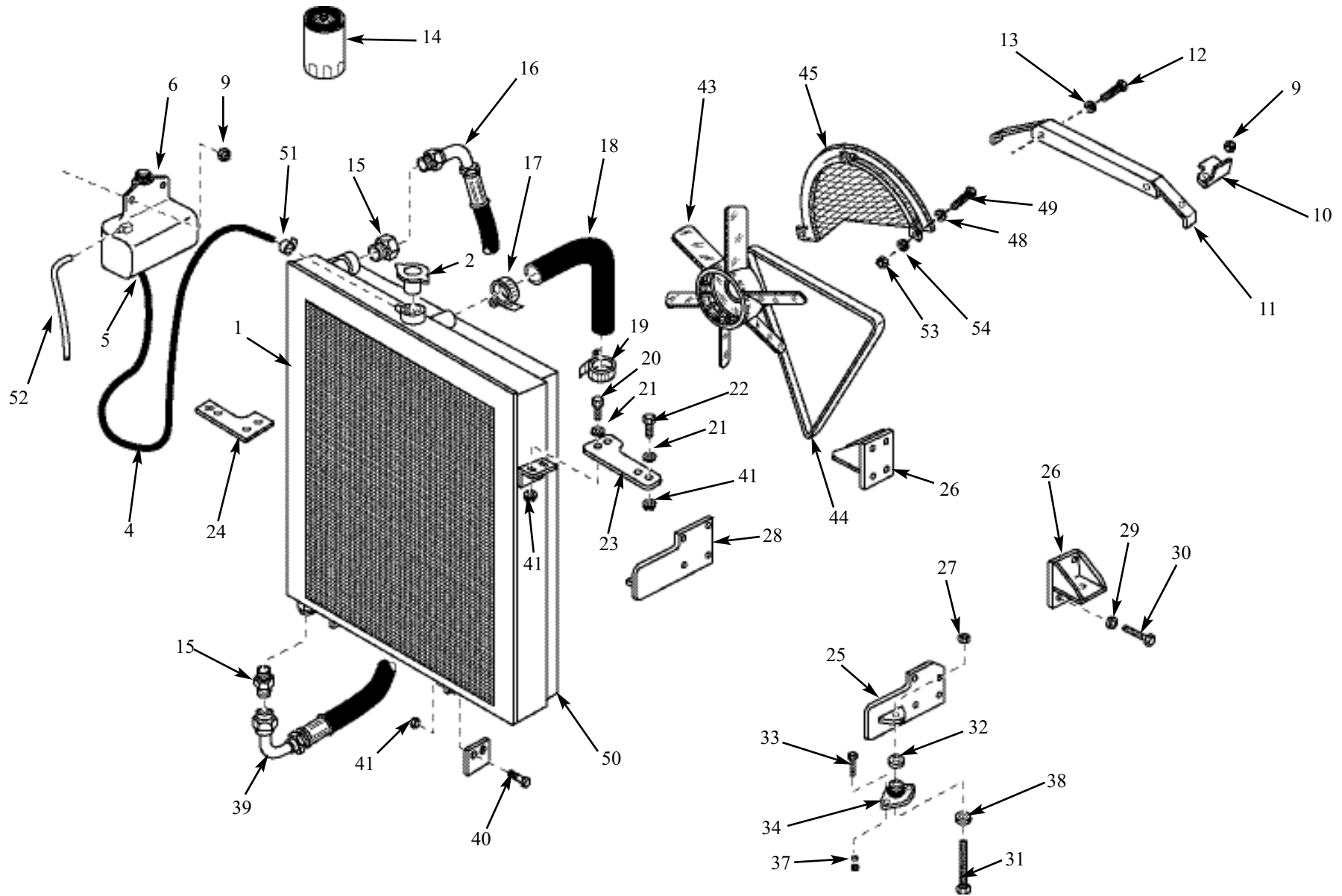


ITEM	PART	QTY	DESCRIPTION
1.	042556SP	1	Filter, Hydraulic Assy.
2.	042557SP	1	Head, Filter Hydraulic Assy.
3.	035243SP	1	Element, Hydraulic Oil Filter
4.	014866SP	2	Elbow, 90°
5.	963851SP	1	Hose, Hydraulic (Filter outlet to tank)
6.	964801SP	1	Hose, Hydraulic
7.	01193SP	4	Bolt, Hex
8.	01642SP	4	Washer, Lock
9.	01643SP	4	Washer, Flat

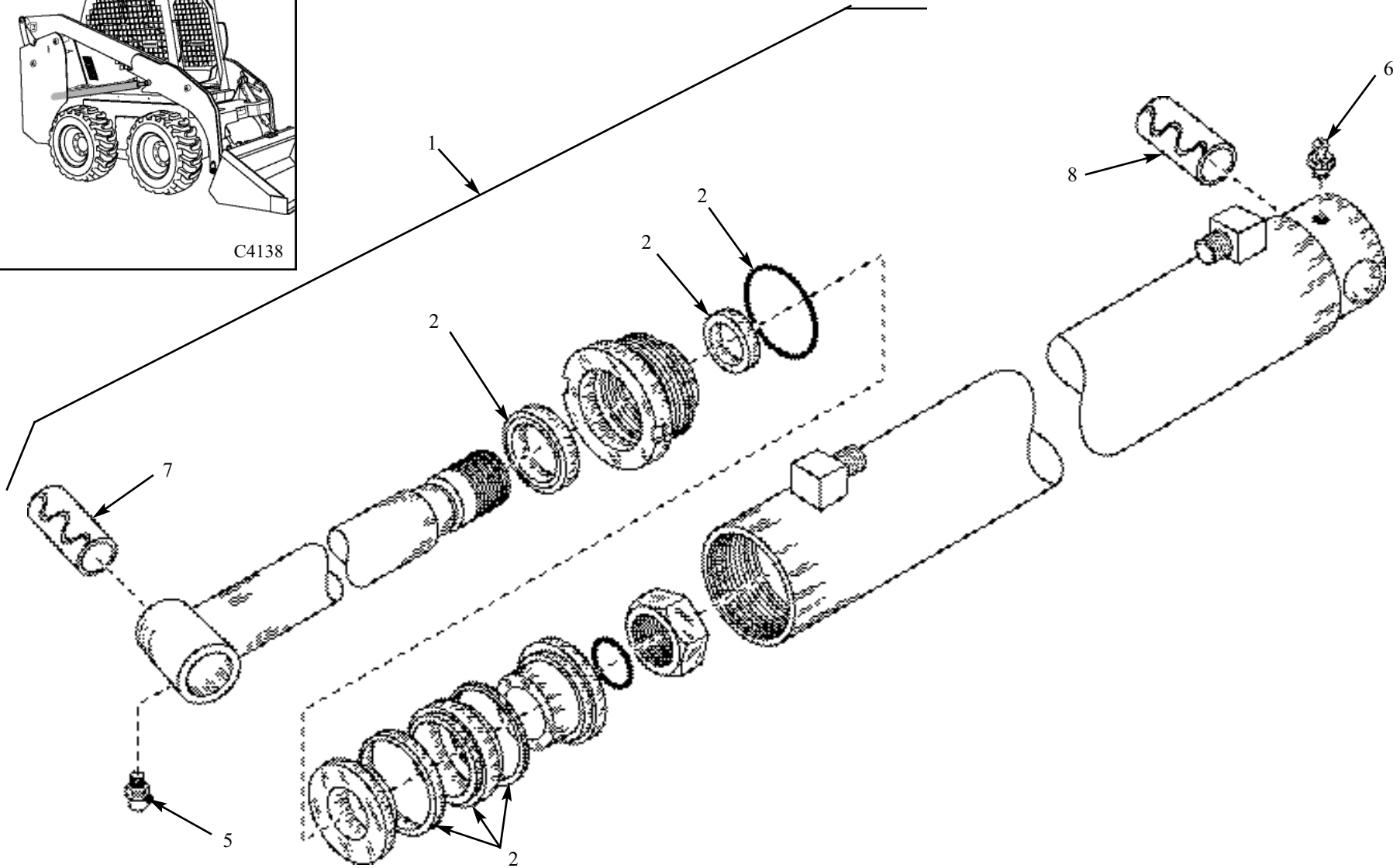
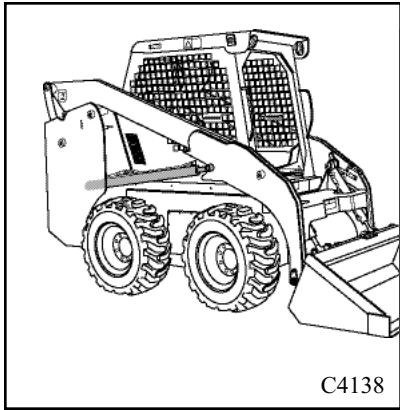
# BOOM LIFT CIRCUIT



ITEM	PART	QTY	DESCRIPTION
1.	048464SP	2	Lift Cylinder
2.	048454SP	2	Tube, Hyd. 1/2" x 3/4" JIC
3.	964556SP	4	Hose, Lift Cylinder
4.	048455SP	1	Tube, Hyd. 1/2" x 3/4" JIC, LH Lift Cyl.
5.	048453SP	1	Tube, Hyd. 1/2" x 3/4" JIC RH Lift Cyl.
6.	042322SP	2	Tee
7.	033831SP	4	Connector, Bulkhead, 90° w/Nut
9.	043903SP	4	Washer, Lock In Tooth
10.	964550SP	2	Hose, Bulkhead To Bulkhead
11.	964552SP	1	Hose, Valve Rear Port To Front Bulkhead
13.	019232SP	2	Elbow, Control Valve
14.	049290SP	1	Valve
15.	016771SP	1	Nut, Nylok
16.	043033SP	2	Clamp, 1" Twin Tube
17.	042076SP	1	Plate,Cover
18.	037119SP	1	Bolt

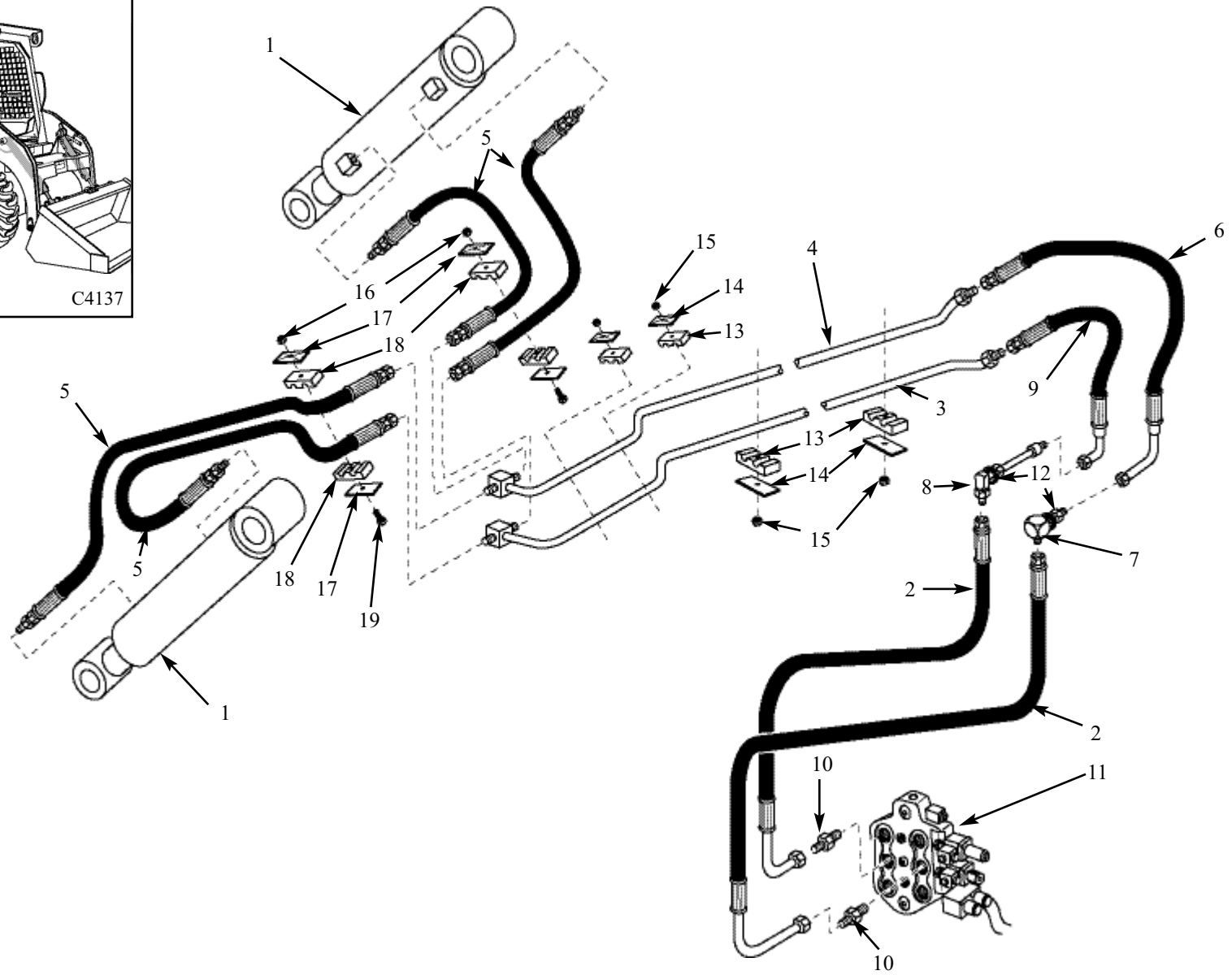
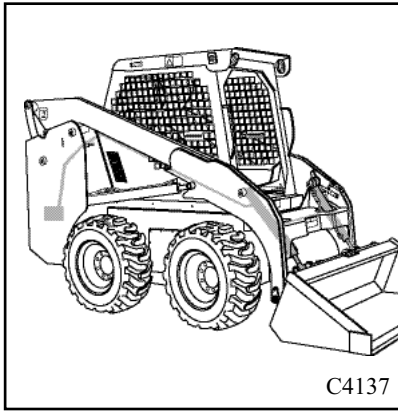


ITEM	PART	QTY	DESCRIPTION
1.	049316SP	1	Rad/Cooler Ass'y
2.	049075SP	1	Radiator Cap
4.	044184SP	1	Hose, Fuel
5.	019949SP	2	Clamp, Fuel Line
6.	042737SP	1	Reservoir, Coolant
9.	043558SP	7	Nut, Hex Flange
10.	041024SP	1	Loom Clamp
11.	962371SP	1	Shield, Flywheel Ass'y
12.	021557SP	2	Bolt, Hex.
13.	021558SP	2	Washer, Lock
14.	033023SP	1	Filter, Engine Oil
15.	008104SP	2	Connector
16.	964800SP	1	Hyd. Hose (From Valve)
17.	006268SP	2	Hose Clamp
18.	026129SP	1	Hose, Radiator Top
19.	018478SP	2	Hose Clamp
20.	001387SP	4	Bolt, 3/8" x 1 1/4"
21.	001643SP	8	Flatwasher, 3/8"
22.	001193SP	4	Bolt, 3/8" x 1"
23.	051226SP	1	Plate, Rad Brace L.H.
24.	051225SP	1	Plate, Rad Brace R.H.
25.	964781SP	1	Mount, L.H. Front Ass'y
26.	963765SP	2	Mount Ass'y
27.	016608SP	4	Nut, Hex
28.	964782SP	1	Mount, Front Ass'y
29.	021558SP	16	Washer, Lock
30.	021557SP	16	Bolt, Hex
31.	006816SP	4	Bolt, Hex
32.	044746SP	4	Washer, Overload
33.	001387SP	8	Bolt, Hex
34.	044744SP	4	Isolator, Engine
37.	007465SP	8	Nut, Hex
38.	044745SP	4	Washer, Rebound
39.	964801SP	1	Hyd. Hose To Filter
40.	014313SP	4	Bolt, Crg. 3/8" x 1 1/4"
41.	047470SP	12	Nut, Flg. 3/8"
43.	049722SP	1	Fan, Pusher
44.	049620SP	1	Fan Belt, 39.5"
	049619SP	1	Pulley, 97mm Dia.
	049484SP	1	Fan Belt 40.5" CE Up To LS000599
	049485SP	1	Pulley, 117mm Dia.CE Up To LS000599
	052818SP	1	Fan Belt 41.5" CE LS000600 Onward
	052817SP	1	Pulley, 130mm Dia.CE LS000600 Onward
45.	964785SP	1	Guard, Fan
48.	001650SP	4	Washer, Flat 1/4"
49.	005170SP	4	Bolt, 1/4" x 1"
50.	964793SP	1	Shroud
51.	034919SP	1	Clamp, Circle Two Ear
52.	000822SP	3.0ft	Tube, 3/16" Clear Vinyl
53.	001350SP	4	Nut,Hex 1/4"
54.	002279SP	4	Lock Washer



<b>ITEM</b>	<b>PART</b>	<b>QTY</b>	<b>DESCRIPTION</b>
1.	048464SP	1	Cylinder Assembly (pair required)
2.	029875SP	1	Kit, Seal Hydraulic Cylinder
5.	035451SP	1	Grease Fitting, 90°
6.	002010SP	1	Grease Fitting Straight
7.	038589SP	1	Bushing, Hardened, Ram End
8.	047566SP	1	Bushing, Hardened, Tube End

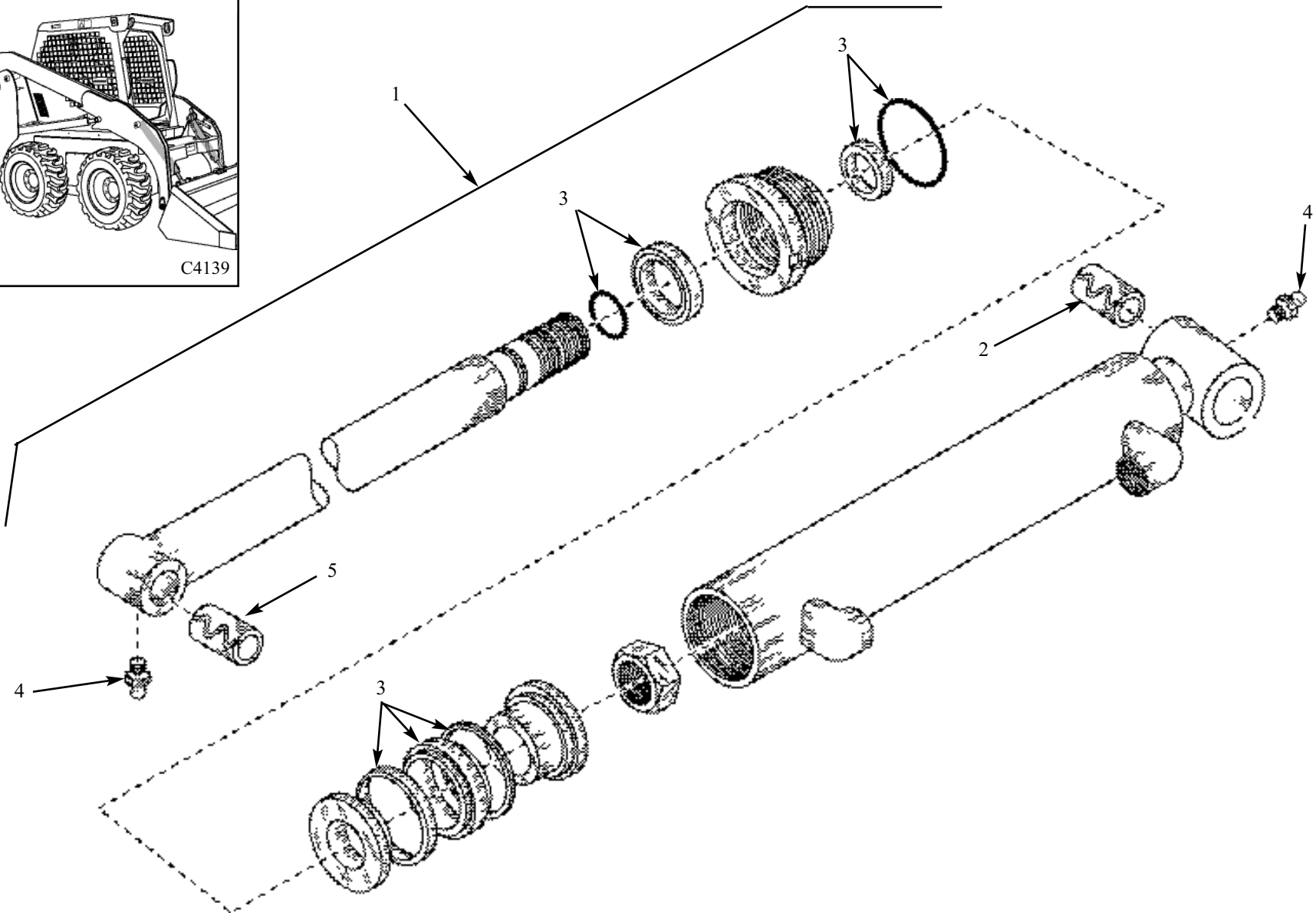
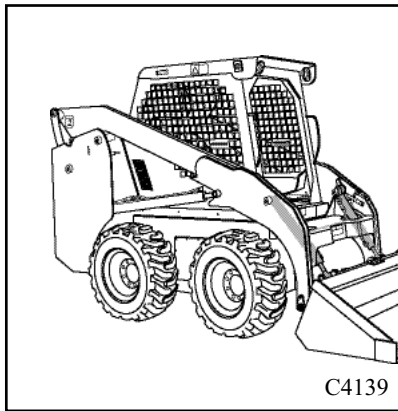
# BUCKET TILT CIRCUIT



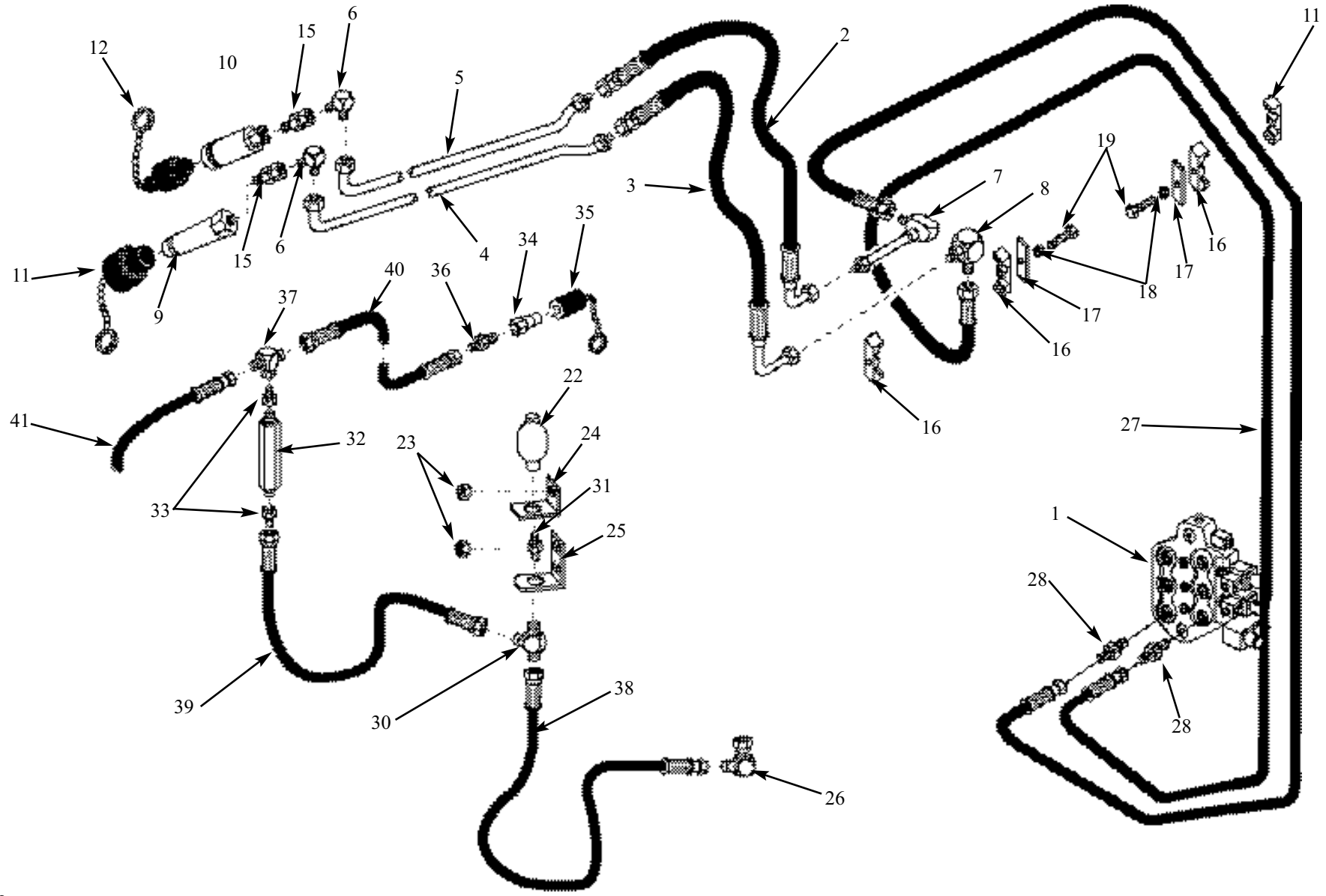


ITEM	PART	QTY	DESCRIPTION
1.	048465SP	2	Tilt Cylinder, See Section 4.7
2.	964553SP	2	Hose, Hydraulic
3.	048422SP	1	Tube, Hydraulic, Inside
4.	048421SP	1	Tube, Hydraulic, Outside
5.	964557SP	4	Hose, Hydraulic
6.	964690SP	1	Hose, Hydraulic
7.	033831SP	1	Connector, Bulkhead 90°, Rear
8.	036336SP	1	Connector, Bulkhead 90° (Long), Front
9.	964689SP	1	Hose
10.	019226SP	2	Connector
11.	***	1	Control Valve, See Section 4.9
12.	043903SP	2	Star washer
13.	038303SP	4	Clamp, Tube Twin 5/8"
14.	038472SP	4	Plate, Cover Twin
15.	007465SP	4	Nut, Nylok
16.	016771SP	2	Nut, Nylok
17.	038303SP	4	Plate, Cover Twin
18.	038472SP	4	Clamp, Twin 3/4" Tube
19.	001675SP	2	Bolt, Hex

# TILT CYLINDER

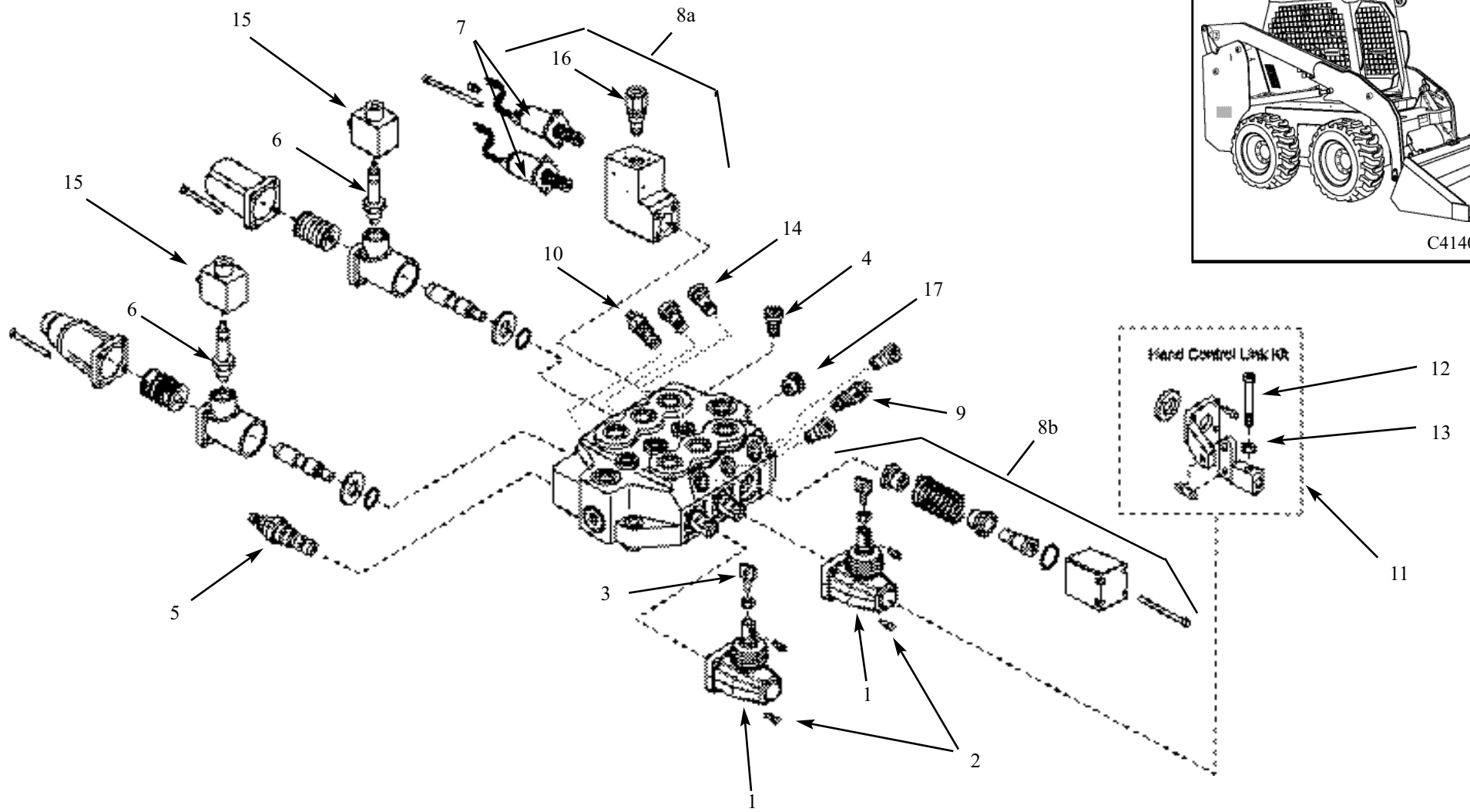


<b>ITEM</b>	<b>PART</b>	<b>QTY</b>	<b>DESCRIPTION</b>
1.	048465SP	1	Tilt Cylinder (pair required)
2.	049475SP	1	Hardened Bushing, Tube End
3.	029875SP	1	Kit, Seal, Hydraulic Cylinder
4.	002010SP	2	Grease Fitting, Straight
5.	038589SP	1	Hardened Bushing, Ram End



ITEM	PART	QTY	DESCRIPTION	ITEM	PART	QTY	DESCRIPTION
1.	***	1	Control Valve, see Section 4.9	34.	043128SP	1	Coupler
2.	964687SP	1	Hose, Hyd. 1/2" x 34"	35.	043130SP	1	Dust Plug
3.	964688SP	1	Hose, Hyd. 1/2" x 32"	36.	043127SP	1	Connector, Bulkhead
4.	048420SP	1	Tube, Hydraulic, Inside	37.	049241SP	1	Tee, Branch
5.	048419SP	1	Tube, Hydraulic, Outside	38.	964560SP	1	Hose, Hyd. 1/4" x 11.25"
*	043903SP	2	Internal Star Washer (used on bulkheads)	39.	964559SP	1	Hose, Hyd. 1/4" x 6.38
6.	022280SP	2	Elbow, 90°	40.	964558SP	1	Hose, Hyd. 1/4" x 10"
7.	036336SP	1	Connector, Bulkhead 90°	41.	964561SP	1	Hose, Hyd. 1/4" x 62.38"
8.	033831SP	1	Connector, Bulkhead 90°				
9.	048593SP	1	Coupling, Male, Up To LS000414				
	052146SP	1	Coupling, Male F/F LS000415 Onward				
10.	048592SP	1	Coupling, Female, Up To LS000414				
	052145SP	1	Coupling, Female F/F, LS000415 Onward				
11.	048595SP	1	Dust Cap (Male Cplg) Up To LS000414				
12.	048594SP	1	Dust Cap (Female Cplg) Up To LS000414				
11/12	052147SP	2	Dust Cap F/F Cplg LS000415 Onward				
14.	026829SP	1	Valve, Check				
15.	029437SP	2	Connector, Bulkhead				
16.	038303SP	4	Clamp, Tube Twin				
17.	038472SP	2	Plate, Cover Twin				
18.	001870SP	2	Washer, Lock				
19.	015433SP	2	Bolt				
22.	046118SP	1	Accumulator, Diaphragm				
23.	043558SP	4	Nut, Hex 5/16" Flange				
24.	046165SP	1	Sheet, Accumulator Mount, Top				
25.	046166SP	1	Sheet, Accumulator Mount, Bottom				
26.	036855SP	1	Elbow				
27.	964562SP	2	Hose, Hydraulic				
28.	019226SP	2	Connector				
30.	038389SP	1	Tee				
31.	021121SP	1	Connector				
32.	026829SP	1	Check Valve				
33.	021121SP	2	Connector				

# CONTROL VALVE

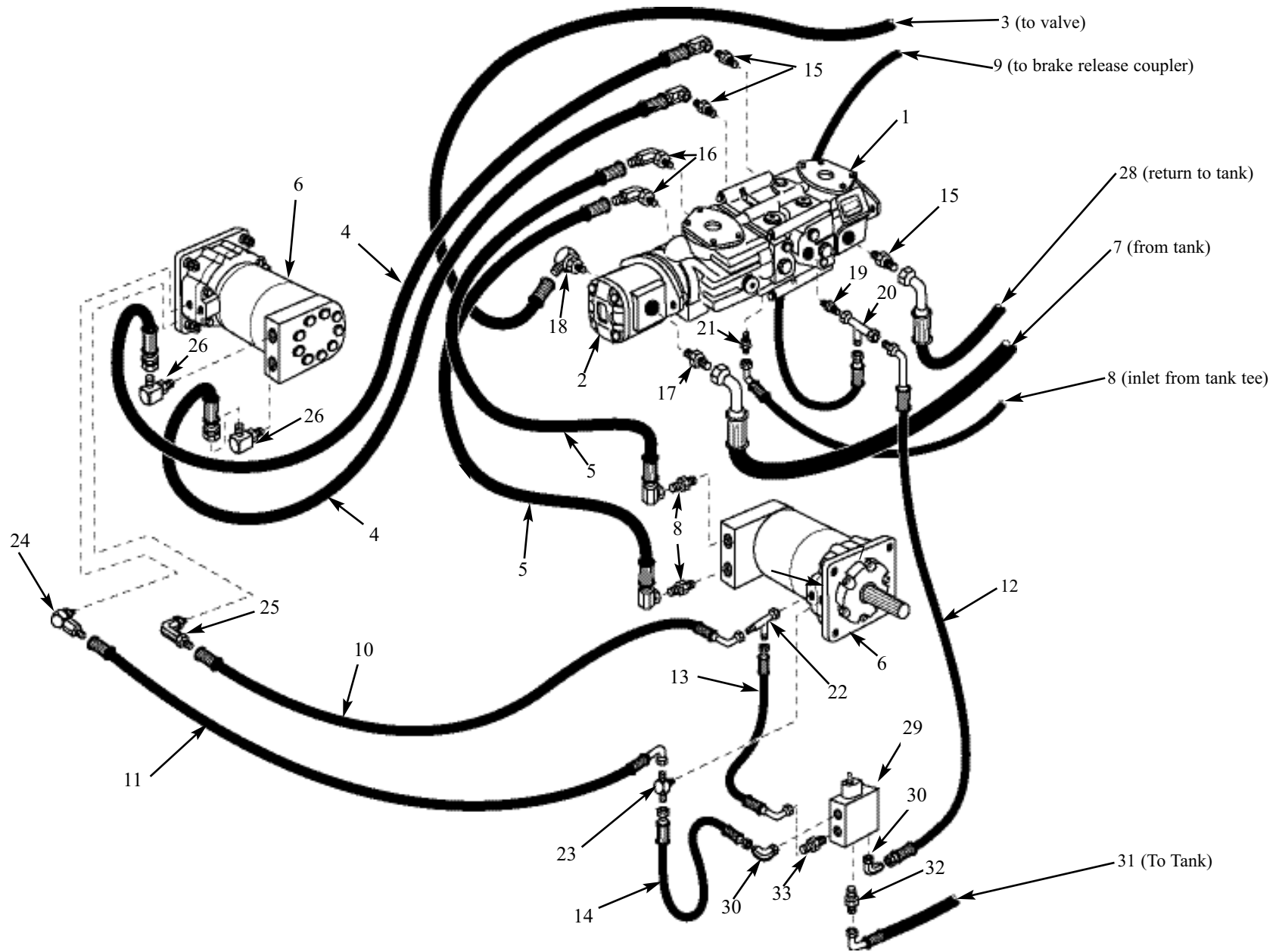


ITEM	PART	QTY	DESCRIPTION
*	049290SP	1	Valve, Assy. Solenoid Auxiliary w/ Control Boxes
1.	044935SP	2	Kit, Control Lever Box
2.	044473SP	2	Screw, Set
3.	044299SP	2	Bar, Control Valve Linkage
4.	053335SP	3	Valve, Check
5.	053336SP	1	Valve, Main Relief
6.	052076SP	2	Solenoid Lock Assy.
7.	052889SP	2	Coil, Auxiliary Solenoid
8.	049079SP	1	Kit, Aux. Circuit w/o Spool
9.	049076SP	1	Valve, Port Relief
10.	049077SP	1	Valve, Port Relief
11.	044937SP	1	Kit, Dust Cap w/ Connector for Hand Control (Optional)
12.	046006SP	1	Bar, Control Lever Linkage (Hand Control Option)
13.	046005SP	2	Nut, Jam
14.	044190SP	4	Plug, Anti-Cav. Replacement
15.	049083SP	2	Coil,Solenoid Lock Assy.
16.	052599SP	1	Connector, Aux Pilot Port
17.	047957SP	1	Plug,# 12 SAE
*	052646SP	1	Kit, Seal Rubber, Control Valve

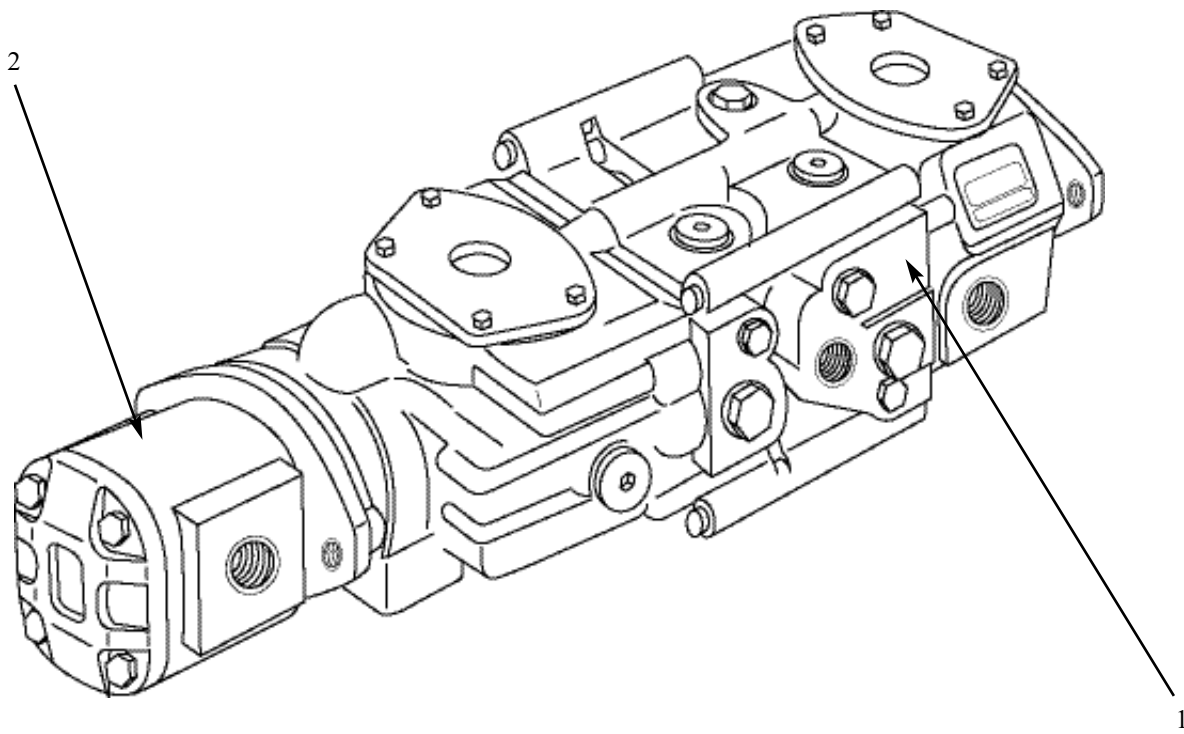
## 5. HYDROSTATIC DRIVE SYSTEM

Hydrostatic Drive Circuit.....	5.1
Hydrostatic Tandem Pump.....	5.2
Hydrostatic Front Pump (parts).....	5.2(A)
Hydrostatic Rear Pump (parts).....	5.2(B)
Hi-Flow Circuit.....	5.3
Torque Motor.....	5.4





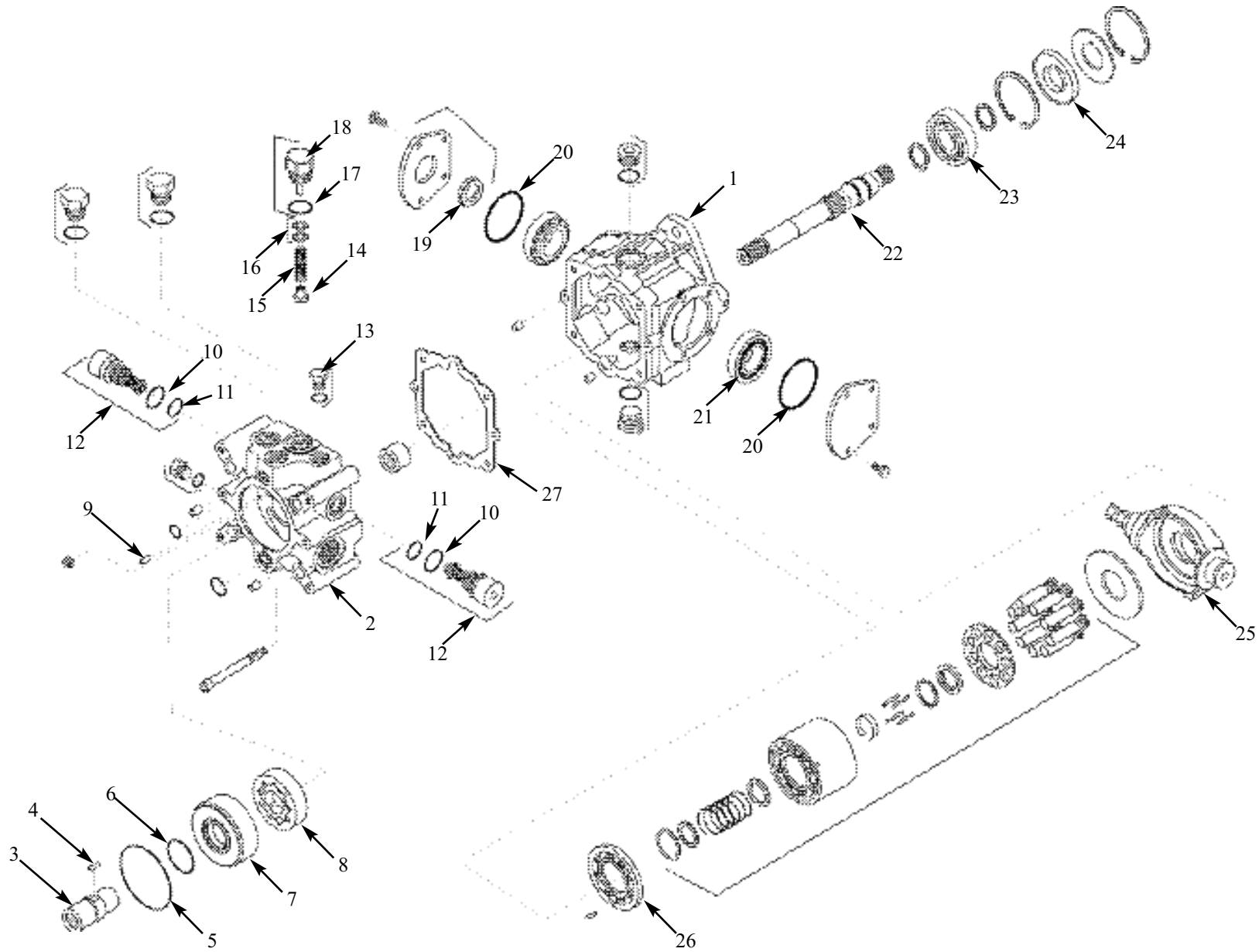
ITEM	PART	QTY	DESCRIPTION
1	049729SP	1	Hydrostatic Tandem Pump
2	049987SP	1	Gear Pump
3.	963850SP	1	Hose, Hydraulic (to valve)
4.	965984SP	2	Hose, Hydraulic R.H. Torque Motor
5.	965939SP	2	Hose, Hydraulic L.H. Torque Motor
6.	046748SP	2	Torque Motor Up To LS000390
	049476SP	2	Torque Motor LS000391 Onward
7.	964568SP	1	Hose, Hydraulic (from tank)
8.	963853SP	1	Hose, Hydraulic (from tank)
9.	964561SP	1	Hose, Hydraulic (to brake release coupler)
10.	963855SP	1	Hose, Hydraulic
11.	963857SP	1	Hose, Hydraulic
12.	963860SP	1	Hose, Hydraulic
13.	963856SP	1	Hose, Hydraulic
14.	963858SP	1	Hose, Hydraulic
15.	014867SP	3	Connector
16.	014866SP	2	Elbow
17.	033850SP	1	Connector
18.	025011SP	1	Elbow
19.	026008SP	1	Connector
20.	038389SP	1	Tee
21.	008104SP	1	Connector
22.	043146SP	1	Tee
23.	043189SP	1	Tee
24.	036855SP	1	Elbow
25.	036713SP	1	Elbow
26.	014866SP	2	Elbow
27.	014867SP	2	Connector
28.	963852SP	1	Hose, Hydraulic (to tank)
29.	046913SP	1	Brake Valve
30.	021128SP	2	Elbow
31.	963854SP	1	Hose, Hydraulic (to tank)
32.	019238SP	1	Connector
33.	021121SP	1	Connector



ITEM	PART	QTY	DESCRIPTION
1	049729SP	1	Pump,Tandem Assembly
2	049987SP	1	Pump,Gear
	049990SP	1	Seal Kit, Gear Pump
	043170SP	1	Coupler
	043493SP	1	O-ring

# HYDROSTATIC TANDEM PUMP (PART 1)

5.2 (A)



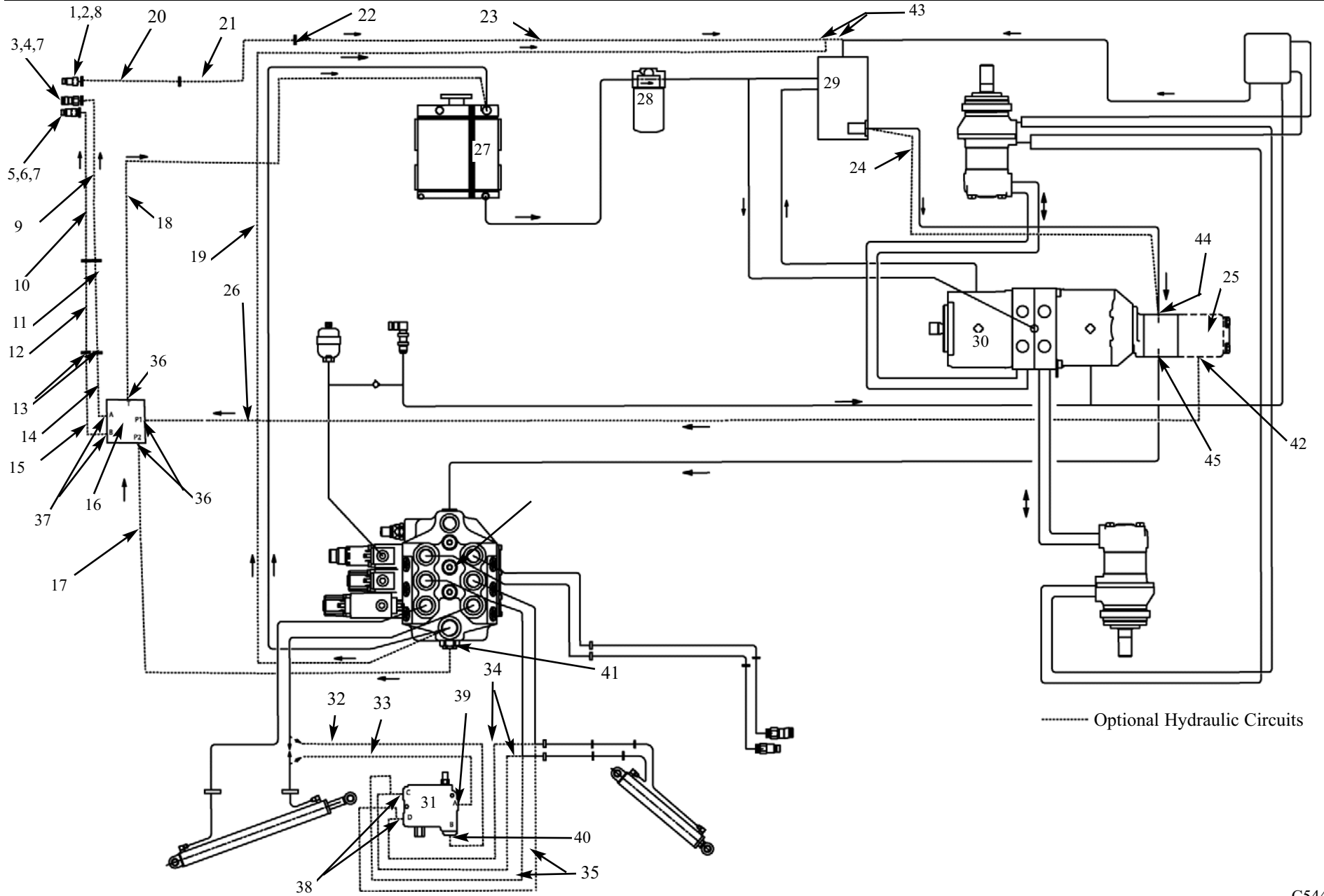
ITEM	PART	QTY	DESCRIPTION
1.	047916SP	1	Front Pump Housing
2.	047936SP	1	End Cap, Rear
3.	047933SP	1	Coupling
4.	047918SP	1	Pin
5.	047931SP	1	O-ring
6.	047930SP	1	O-ring
7.	047929SP	1	Spacer
8.	047919SP	1	Gerolor Assy.
9.	047932SP	1	Pin
10.	047939SP	4	O-ring
11.	047938SP	4	O-ring
12.	044136SP	1	SCR Valve, 345 bar/5000 psi
13.	047922SP	1	Plug
14.	043165SP	1	Charge Relief Poppet
15.	043164SP	1	Spring
16.	047935SP	1	Shim Kit
17.	043166SP	1	O-ring
18.	047934SP	1	Charge Relief Plug
19.	047940SP	2	Lip Seal
20.	043167SP	2	O-ring
21.	047923SP	1	Taper Roller Bearing
22.	044279SP	1	Front Shaft
23.	044276SP	1	Ball Bearing
24.	043169SP	1	Lip Seal
25.	047928SP	1	Swashplate
26.	044278SP	1	Front Valve Plate, RH
27.	047925SP	1	Gasket, End Cap
*	047945SP	1	Overhaul Seal Kit



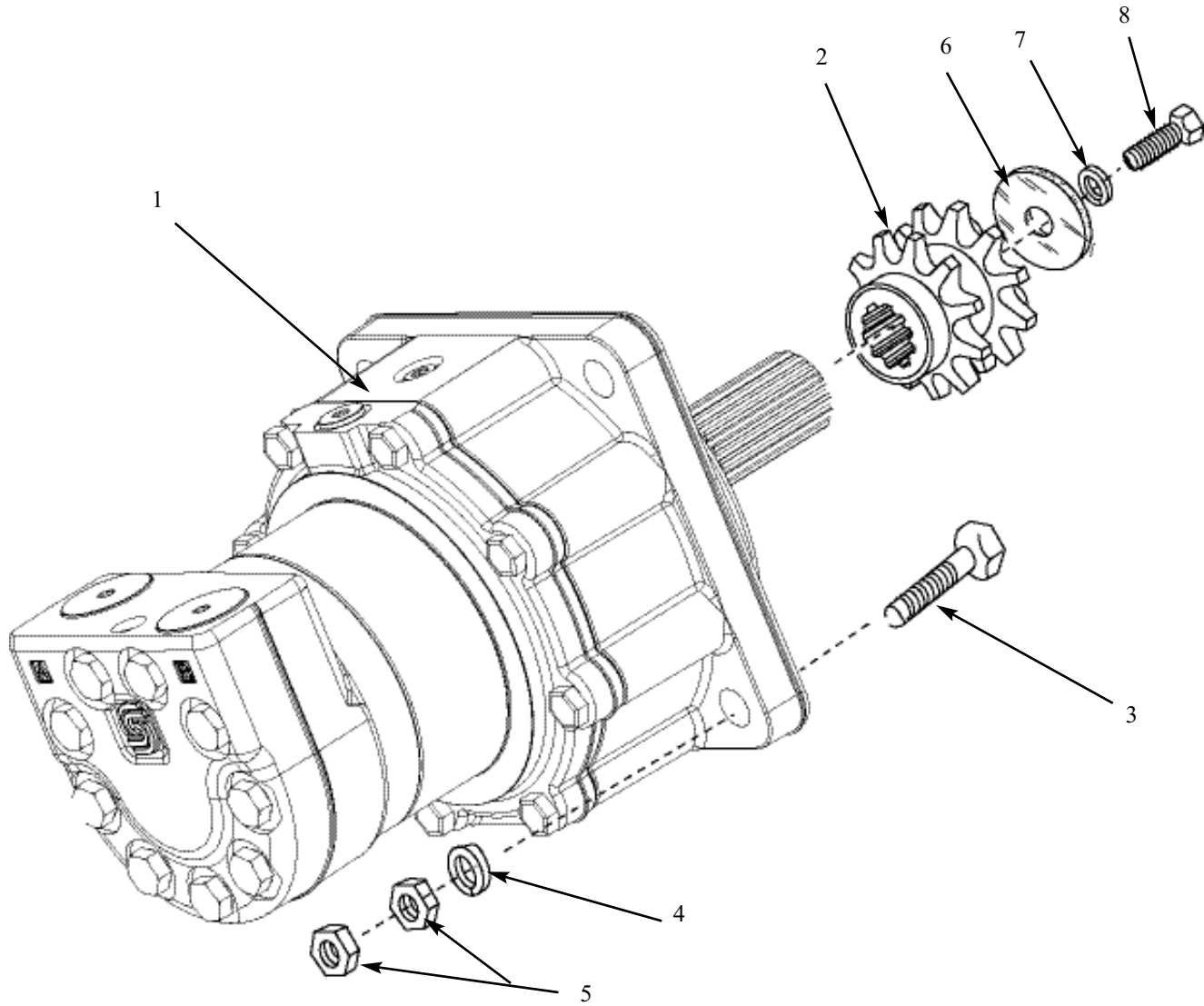
ITEM	PART	QTY	DESCRIPTION
1.	047941SP	1	Rear Housing
2.	047937SP	1	End Cap, Front
3.	047940SP	2	Lip Seal
4.	047942SP	1	Rear Shaft
5.	049987SP	1	Gear Pump
6.	043170SP	1	Coupling
7.	043493SP	1	O-ring
8.	047924SP	1	Thruste Plate
9.	047927SP	1	Cylinder Block Kit, 43.5 cc
10.	044280SP	1	Rear Valve Plate, LH
11.	047926SP	1	Spring Pin
12.	047939SP	4	O-ring
13.	047938SP	4	O-ring
14.	047925SP	1	End Cap Gasket
15.	047921SP	1	Needle Bearing
*	047945SP	1	Overhaul Seal Kit



# HI - FLOW CIRCUIT (optional) SELF-LEVEL VALVE CIRCUIT (optional)



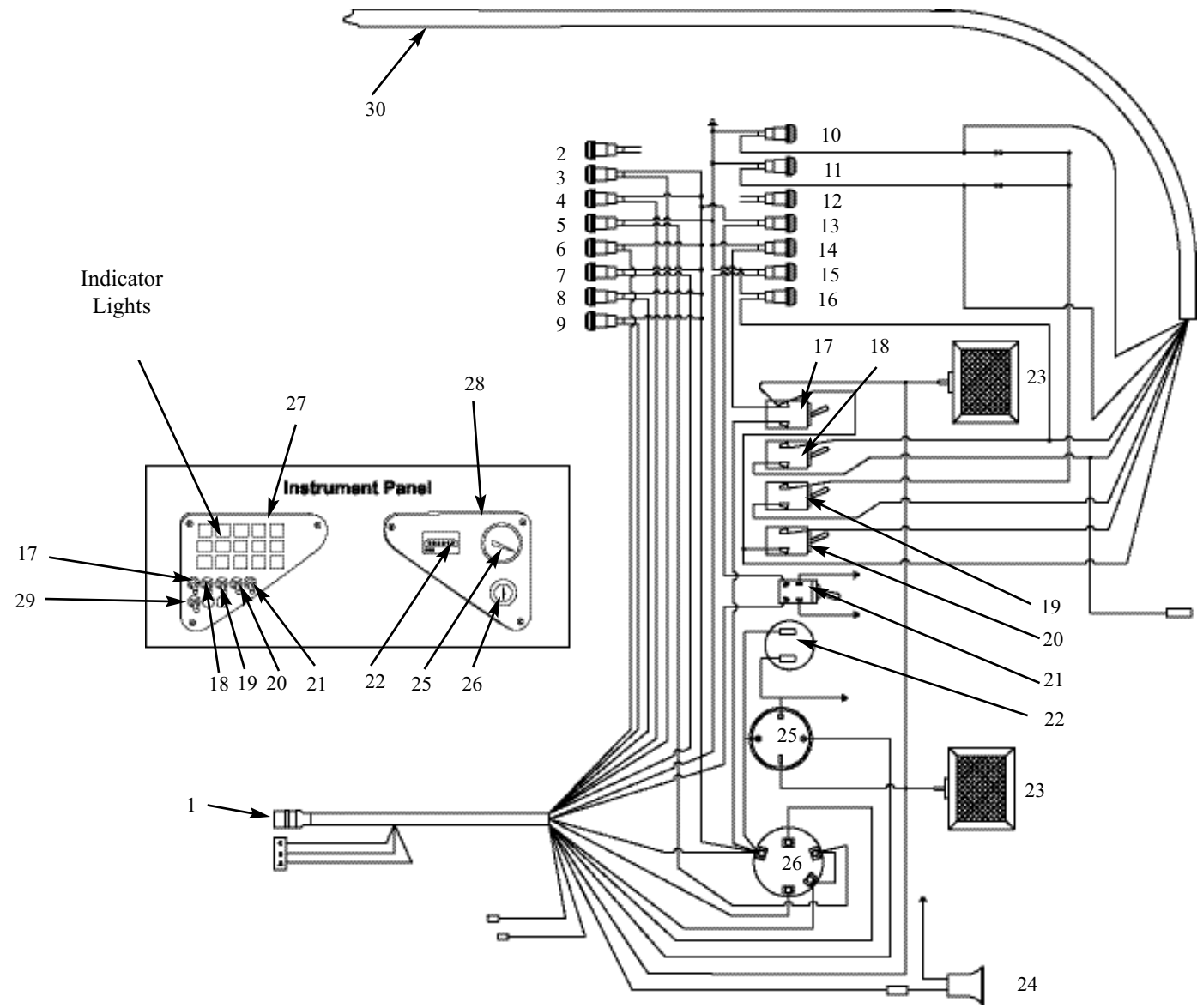
ITEM	PART	QTY	DESCRIPTION	ITEM	PART	QTY	DESCRIPTION
1	052147SP	1	Dust Cap For F/F Coupler	23.	964920SP	1	Hose, Hydraulic (Bulkhead Elbow At Tank To Tee For Return)
2	052145SP	1	Quick Coupler Fem F/F	24.	964700SP	1	Hose, Hydraulic (From Tank To Gear Pump Suction)
3.	043920SP	1	Quick Coupler, Male	25	048599SP	1	Pump, Gear Double 1.37/1.02 Cu. In.
4.	043922SP	1	Dust Plug For Male Quick Cou	26	964800SP	1	Hose, Hydraulic (Gear Pump To Hiflow Valve P2)
5.	043919SP	1	Quick Coupler,Fem	27	049316SP	1	Oil Cooler
6.	043921SP	1	Dust Plug For Female Quick Coupler	28	043539SP	1	Filter Assy, Hydraulic
7.	048680SP	2	Connector	29	***		Oil Tank
8.	049030SP	1	Connector	30	052053SP	1	Pump, Tandem W/O Gear Pump
9.	049054SP	1	Tube,Hydraulic	31	043487SP	1	Valve, Self Level
10.	049053SP	1	Tube,Hydraulic	32	964552SP	1	Hose, Hydraulic (Valve Port B1 to Self Level Valve Port B)
11.	964921SP	1	Hose,Hydraulic (Bulkhead Elbow At Tank To Female Quick Coupling Tubing)	33	964555SP	1	Hose Hydraulic (Self Level Valve Port A To Rear Lift Tee)
12.	964922SP	1	Hose,hydraulic ( Bulkhead Elbow At Tank To Male Quick Coupling Tubing)	34	964553SP	2	Hose, Hydraulic (Front Tilt Bulkhead To Self Level Valve Port D; Rear Tilt Bulkhead To Self Level Valve Port C)
13.	048736SP	2	Connector, Bulkhead 90D Elbow	35	964554SP	2	Hose, Hydraulic (Tee In Self Level Valve Port C to Rear Tilt Bulkhead: Tee In Self Level Valve Port D To Front Tilt Bulkhead)
14.	049188SP	1	Tube, Hydraulic (Hiflow Valve Port A To Bulkhead Elbow At Tank)	36	014866SP	3	Elbow, 90D
15.	049189SP	1	Tube, Hydraulic ( Hiflow Valve Port b To Bulkhead Elbow At Tank)	37	014867SP	2	Connector
16.	048598SP	1	Valve, Hydraulic Manifold	38	036626SP	2	Tee Fitting
17.	964918SP	1	Hose, Hydraulic (Valve Power Beyond to Hiflow Valve Port P1)	39	019226SP	1	Connector
18.	964919SP	1	Hose, Hydraulic (Hiflow Valve To Oil Cooler)	40	019232SP	1	Elbow, 90D
19.	964130SP	1	Hose, Hydraulic (Control Valve To Tank)	41	044462SP	1	Plug, Power Beyond
20.	049055SP	1	Tube Hydraulic	42	026834SP	1	Elbow, 90D
21.	964923SP	1	Hose, Hydraulic (Attachment Case Drain to Tank)	43	026641SP	2	Tee Fitting
22.	039042SP	1	Connector, Bulkhead 90D Elbow	44	038768SP	1	Elbow, 90D
				45	192320SP	1	Elbow, 90D



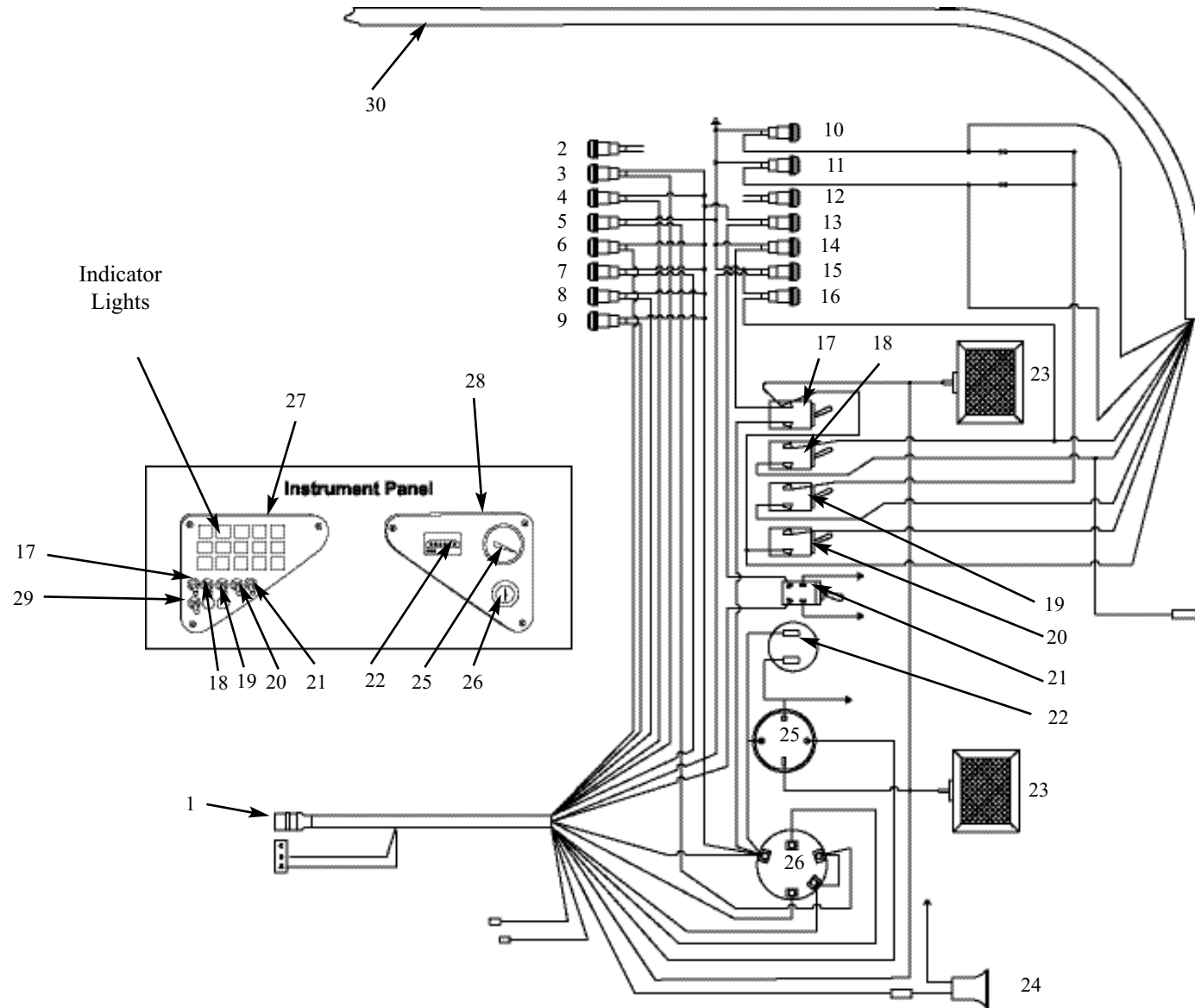
<b>ITEM</b>	<b>PART</b>	<b>QTY</b> <b>(per motor)</b>	<b>DESCRIPTION</b>
1.	046748SP	1	Torque Motor Up To LS000390
	048477SP	1	Seal Kit
	049476SP	1	Torque Motor LS000391 Onward
	048477SP	1	Seal Kit
	053483SP	1	Kit, Flushing Spool
2.	046799SP	1	Sprocket, 10T 100 DS
3.	006869SP	4	Bolt, Hex
4.	001647SP	4	Washer, Lock
5.	025091SP	8	Nut, Hex (Double Nut)
6.	046922SP	1	Retaining Washer
7.	021558SP	1	Washer,Lock,M12
8.	026859SP	1	Bolt, 12mm x 1.75 x 30mm

## 6. ELECTRICAL SYSTEM

Electrical Wiring, ROPS Up To S/N LS000414 .....	6.1A
Electrical Wiring, ROPS S/N LS000415 Onward.....	6.1B
Electrical Wiring, Engine Up To S/N LS000414.....	6.2A
Electrical Wiring, Engine S/N LS000415 Onward .....	6.2B

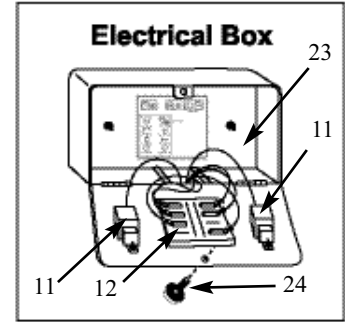
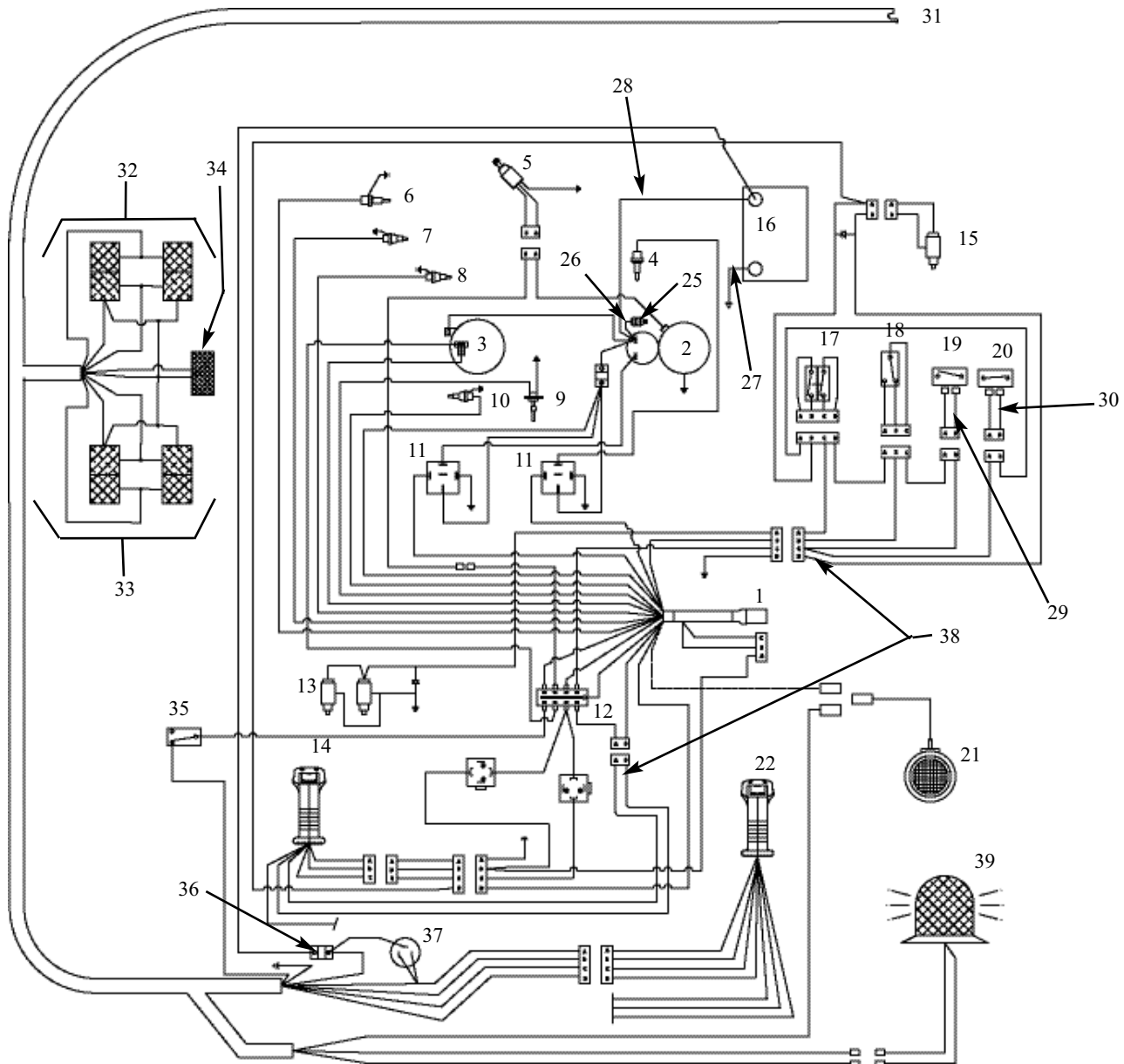




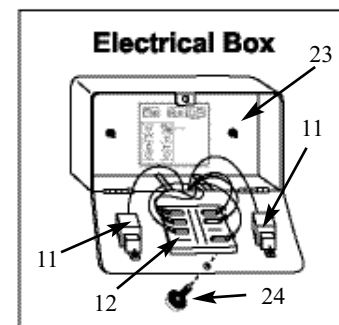
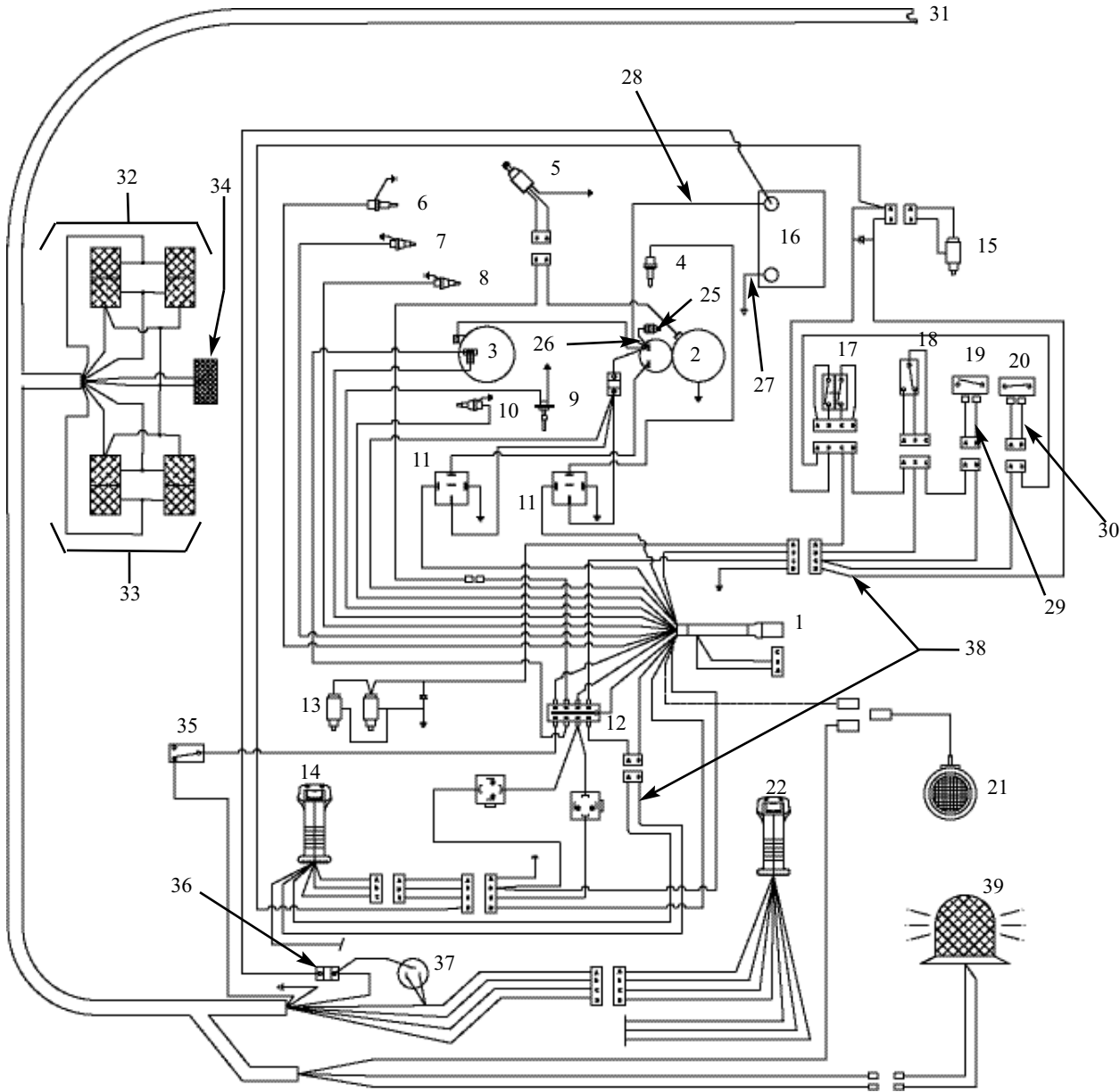








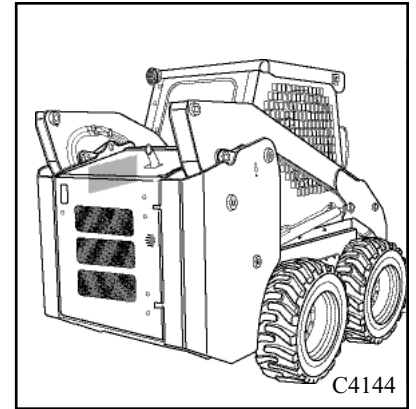
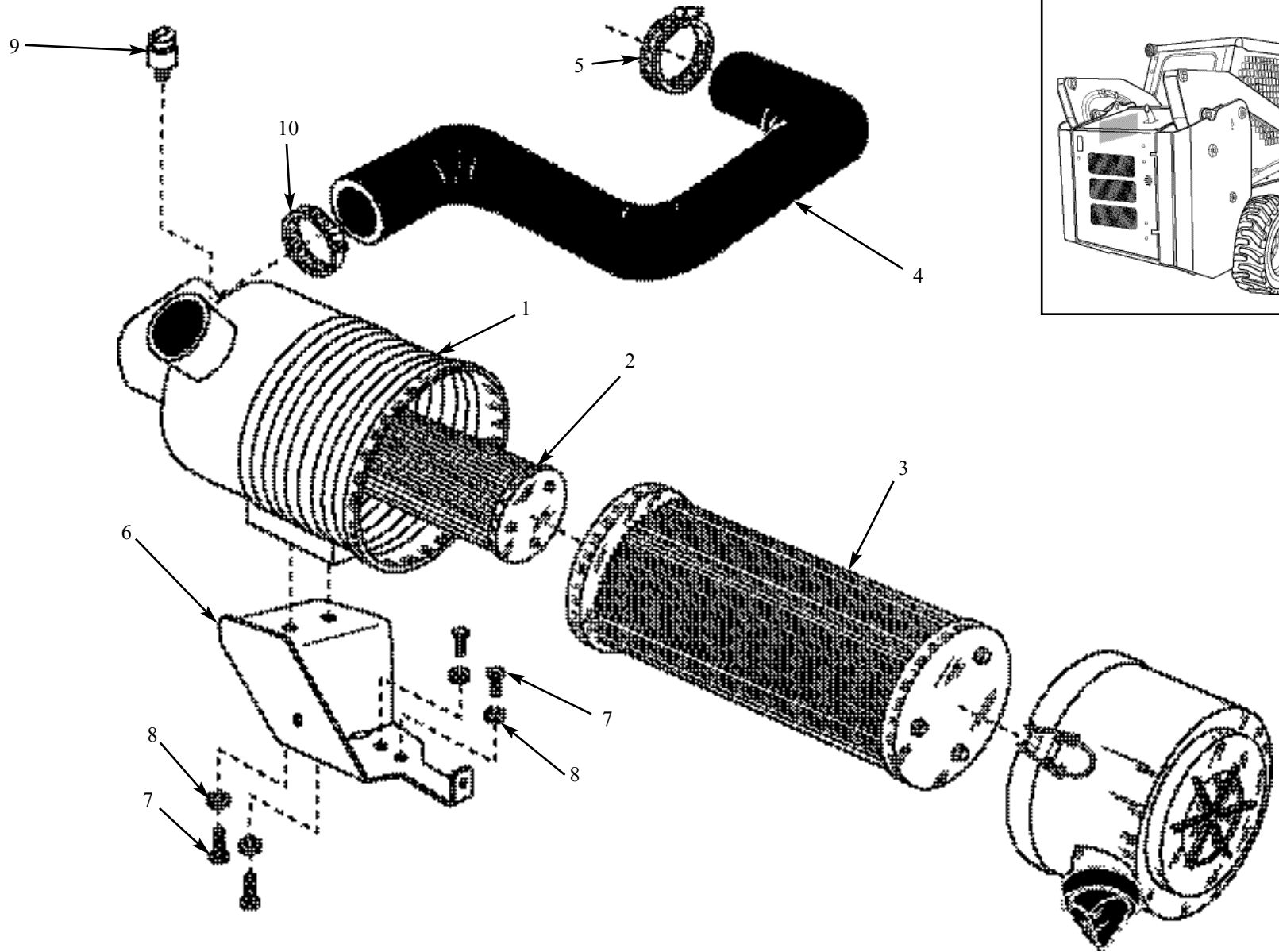
ITEM	PART	QTY	DESCRIPTION	ITEM	PART	QTY	DESCRIPTION
1.	051537SP	1	Harness, Engine Wire Up To LS000414	27.	038871SP	1	Cable, Ground (Battery) 16"
2.	047732SP	1	Starter, Engine V2003T	28.	053053SP	1	Cable, Positive 48"
3.	042604SP	1	Alternator	29	039904SP	1	Harness, Seat Switch
4.	035536SP	4	Glow Plug	30	043082SP	1	Stop Switch Harness
5.	052755SP	1	Kit, Solenoid, Engine Shut-Off	31	047336SP	1	Light License With Harness
6.	038855SP	1	Indicator, Service Electrical (Air)	35	038752SP	1	Switch, Back Up Alarm
7.	037206SP	1	Switch, Temperature Sender (Hyd. Oil Temp.)	36	026856SP	1	Breaker, Circuit, 20 Amp.
8.	018724SP	1	Switch, Oil (Engine Oil Pressure)	37	038307SP	1	Flasher, Turn Signal
9.	043744SP	1	Sender, Fuel Level	38	043081SP	1	Harness, Mainframe
10.	037206SP	1	Switch, Temperature Sender (Water Temp.)	39	046668SP	1	Beacon, Rotating
11.	039840SP	2	Relay	*	022819SP	2	Cable, Ground 18"
12.	039540SP	1	Panel, Fuse & Circuit Breaker				
*	039121SP	1	Fuse, Automotive, 15 Amp (5/pack)				
*	039122SP	3	Fuse, Automotive, 10 Amp (5/pack)	*	Items Not Shown		
13.	***	1	Control Valve				
14.	044182SP	1	Handle, Erg. w/Rocker & 2 PB Switches				Some Items Listed Are Optional
15.	046913SP	1	Brake Valve				
16.	038870SP	1	Battery				
17.	042950SP	1	Switch, Dual c/w Bracket (Restraint Bar Switch)				
18.	961372SP	1	Seat Belt w/Switch (2" Standard)				
	963406SP	1	Seat Belt w/Switch (3" Option)				
19.	038516SP	1	Switch, Seat				
20.	042951SP	1	Switch, Contact Body Ass'y (Stop Button)				
*	044305SP	1	Button, Turn To Release, Red				
21.	029971SP	1	Rear Work Light				
22.	044181SP	1	Handle, Ergonomic, Plain				
23.	961693SP	1	Box, Electrical Ass'y				
24.	041791SP	1	Knob, Black w/Brass Insert				
25.	037104SP	1	Lug, External Boosting				
26.	039910SP	1	Cable, Positive 25"				
*	039921SP	1	Insulator, Terminal Cover				



ITEM	PART	QTY	DESCRIPTION	ITEM	PART	QTY	DESCRIPTION
1.	051537SP	1	Harness, Engine Wire Up To LS000414	27.	038871SP	1	Cable, Ground (Battery) 16"
2.	047732SP	1	Starter, Engine V2003T	28.	053053SP	1	Cable, Positive 48"
3.	042604SP	1	Alternator	29	039904SP	1	Harness, Seat Switch
4.	035536SP	4	Glow Plug	30	043082SP	1	Stop Switch Harness
5.	052755SP	1	Kit, Solenoid, Engine Shut-Off	31	047336SP	1	Harness, Homologation
6.	038855SP	1	Indicator, Service Electrical (Air)	32	047332SP	1	Light Kit LH
7.	037206SP	1	Switch, Temperature Sender (Hyd. Oil Temp.)	33	047333SP	1	Light Kit RH
8.	018724SP	1	Switch, Oil (Engine Oil Pressure)	34	046670SP	1	Light License With Harness
9.	043744SP	1	Sender, Fuel Level	35	038752SP	1	Switch, Back Up Alarm
10.	037206SP	1	Switch, Temperature Sender (Water Temp.)	36	026856SP	1	Breaker, Circuit, 20 Amp.
11.	039840SP	2	Relay	37	038307SP	1	Flasher, Turn Signal
12.	039540SP	1	Panel, Fuse & Circuit Breaker	38	043081SP	1	Harness, Mainframe
*	039121SP	1	Fuse, Automotive, 15 Amp (5/pack)	39	046668SP	1	Beacon, Rotating
*	039122SP	3	Fuse, Automotive, 10 Amp (5/pack)	*	022819SP	2	Cable, Ground 18"
13.	***	1	Control Valve				
14.	044182SP	1	Handle, Erg. w/Rocker & 2 PB Switches				
15.	046913SP	1	Brake Valve	*	Items Not Shown		
16.	038870SP	1	Battery				
17.	042950SP	1	Switch, Dual c/w Bracket (Restraint Bar Switch)				
18.	961372SP	1	Seat Belt w/Switch (2" Standard)				
	963406SP	1	Seat Belt w/Switch (3" Option)				
19.	038516SP	1	Switch, Seat				
20.	042951SP	1	Switch, Contact Body Ass'y (Stop Button)				
*	044305SP	1	Button, Turn To Release, Red				
21.	029971SP	1	Rear Work Light				
22.	044181SP	1	Handle, Ergonomic, Plain				
23.	961693SP	1	Box, Electrical Ass'y				
24.	041791SP	1	Knob, Black w/Brass Insert				
25.	037104SP	1	Lug, External Boosting				
26.	039910SP	1	Cable, Positive 25"				
*	039921SP	1	Insulator, Terminal Cover				
							Some Items Listed Are Optional

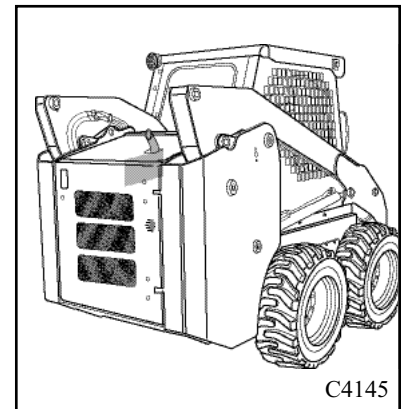
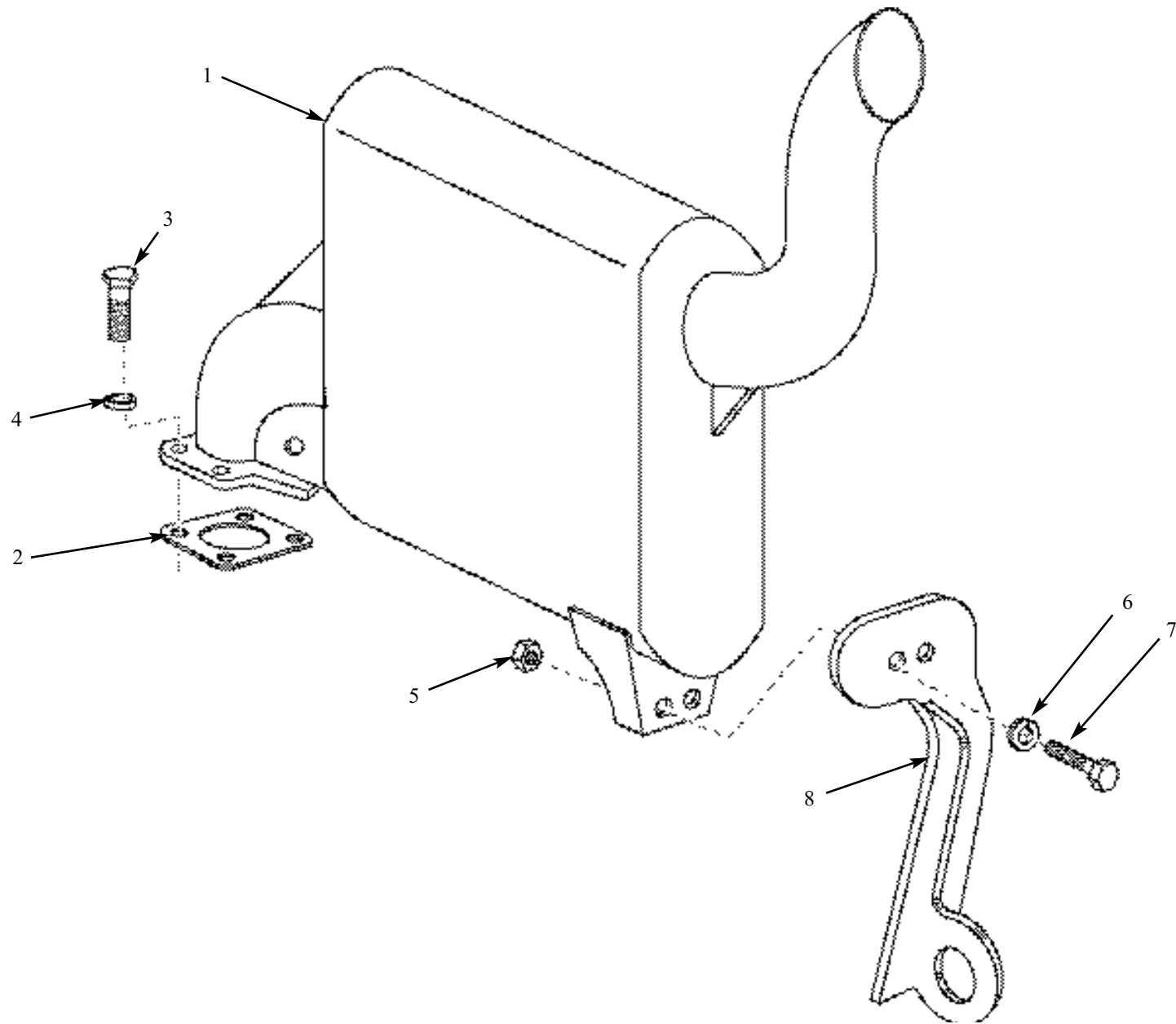
**7. ENGINE EQUIPMENT**

Air Cleaner ..... 7.1  
Exhaust System ..... 7.2  
Universal Joint ..... 7.3  
Engine..... 7.4

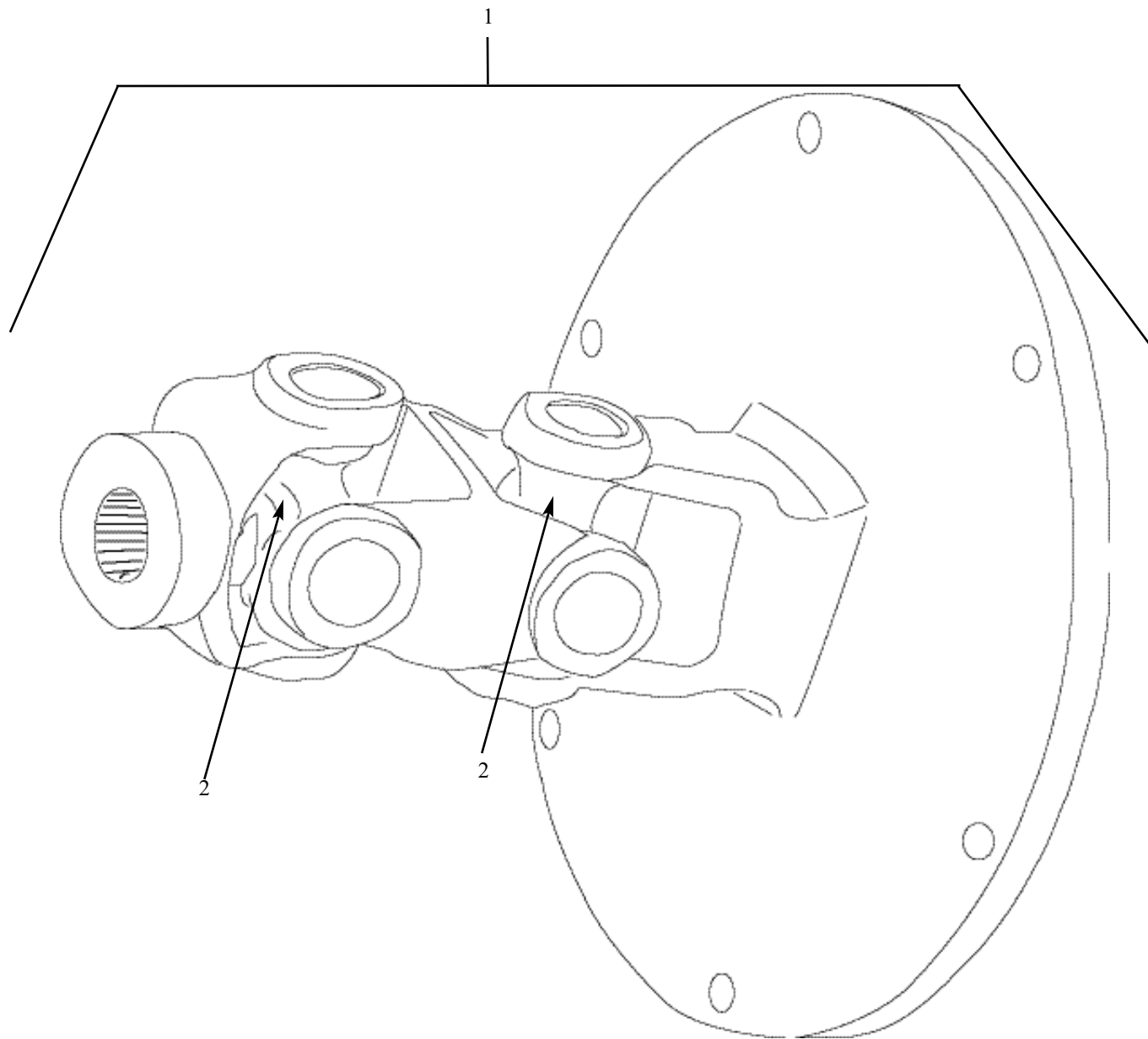


<b>ITEM</b>	<b>PART</b>	<b>QTY</b>	<b>DESCRIPTION</b>
1.	046914SP	1	Cleaner, Air Assembly 6"
2.	047741SP	1	Element, Filter Safety
3.	047742SP	1	Element, Filter Primary
4.	046896SP	1	Hose, Molded Air Intake
5.	006268SP	1	Clamp, Hose #32
6.	963758SP	1	Mount
7.	021554SP	4	Bolt
8.	044319SP	4	Washer
9.	038855SP	1	Indicator, Service Electrical
10.	044820SP	1	Clamp, Hose #44

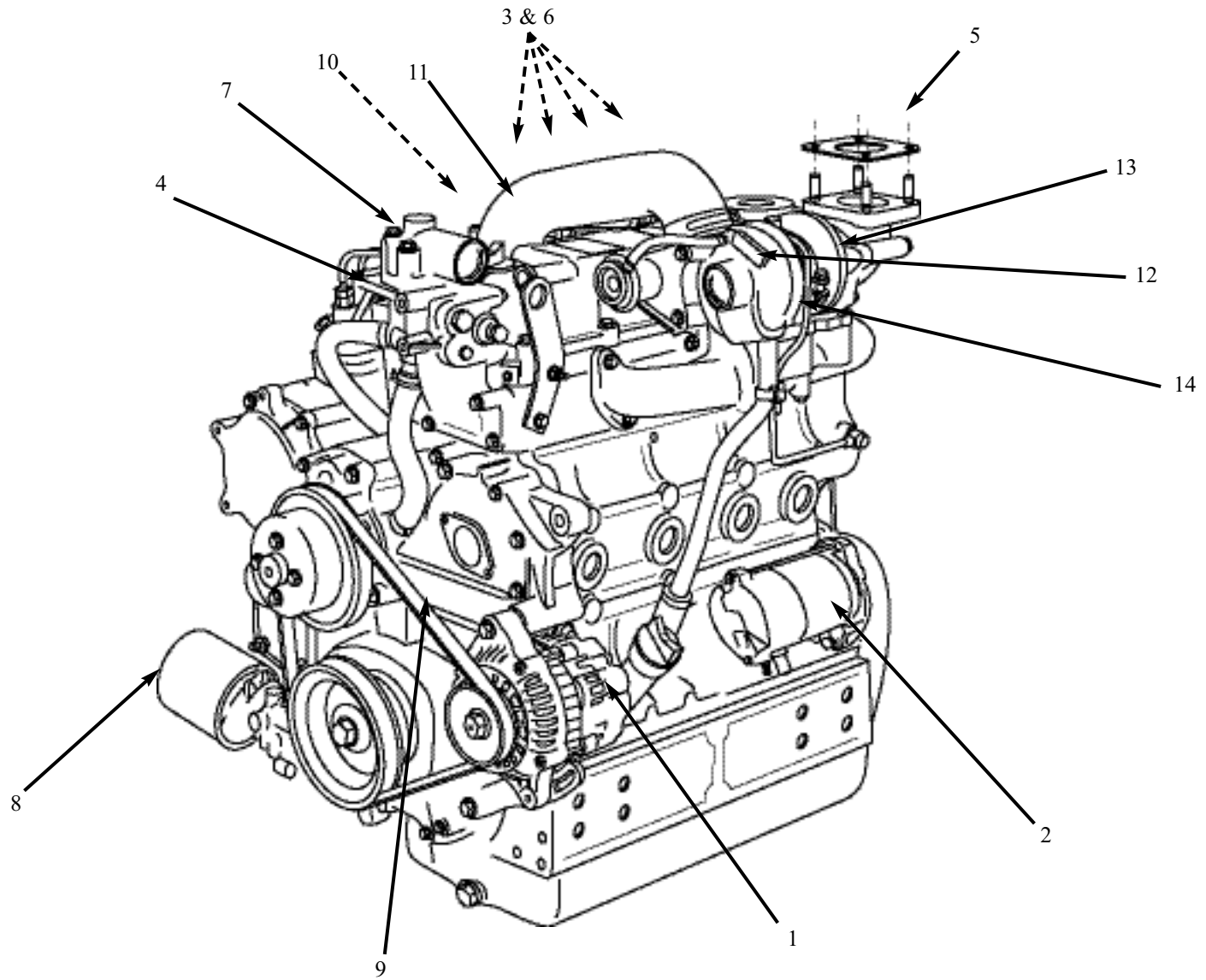




<b>ITEM</b>	<b>PART</b>	<b>QTY</b>	<b>DESCRIPTION</b>
1.	046871SP	1	Muffler, Assy
2.	042691SP	1	Gasket, Steel, Muffler
3.	021554SP	4	Bolt
4.	021029SP	4	Lock washer
5.	001194SP	2	Nut, Hex
6.	001642SP	2	Washer, Lock
7.	001387SP	2	Bolt, Hex
8.	963788SP	1	Muffler Support Assy.



ITEM	PART	QTY	DESCRIPTION
1.	954503SP	1	U-Joint Complete
2.	015052SP	2	Journal And Bearing Kit
*	019029SP	4	Bolt, 8 x 25
*	021029SP	6	Washer, Spring
*	021559SP	2	Bolt, 8 x 30
*	Not Shown		



ITEM	PART	QTY	DESCRIPTION
	<b>049056SP</b>	<b>1</b>	<b>Engine Assembly V2003MT</b>
1.	042604SP	1	Alternator, 40A, Internal Regulator
2.	033073SP	1	Starter, Engine, 2KW
*3.	035536SP	4	Glow Plug, Steel
4.	047733SP	1	Gasket, Fiber, Thermostat
5.	042691SP	1	Gasket, Steel, Muffler
*6.	039681SP	4	Nozzle, Steel
7.	033149SP	1	Thermostat, Steel
8.	033023SP	1	Filter, Engine Oil
9.		1	Belt, Rubber "V" See Section 4.4
*10.	052755SP	1	Solenoid, Engine Stop
11.	053383SP	1	Hose, Crossover
12.	049313SP	1	Assy Turbo Charger
13	049315SP	1	Gasket,Turbo to Exhaust Flange
14.	049314SP	1	Gasket,Manifold To Turbo

\* Items 3, 6 and 10 highlight items actually found on the other side of the engine and can not be seen by this view.

## 8. OPTIONAL EQUIPMENT

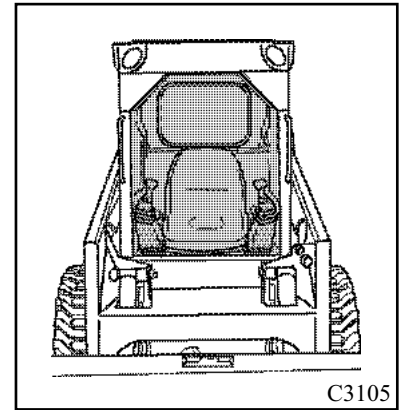
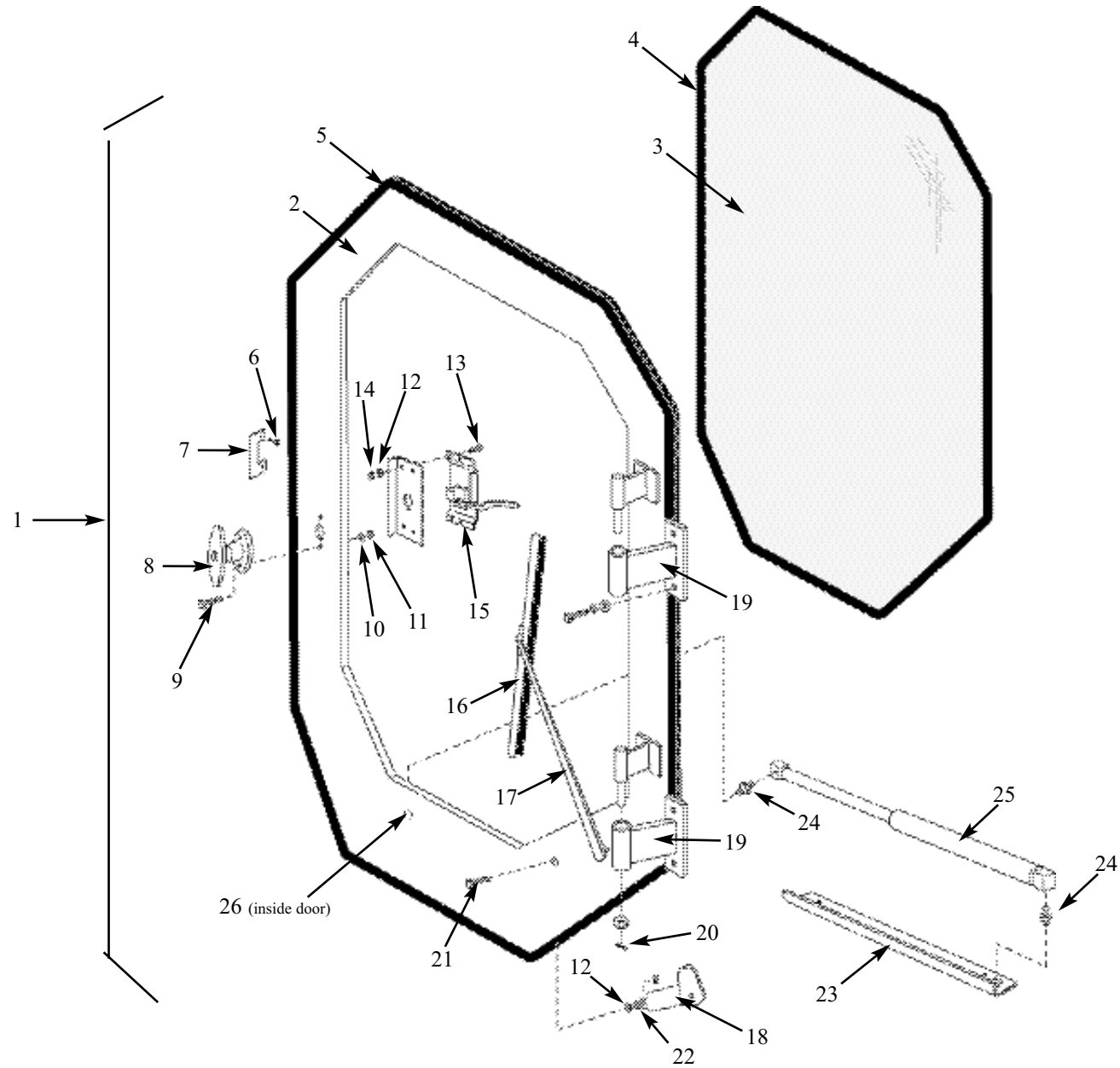
The following kits are OPTIONAL and can be added as extra equipment.  
Some of the options listed below are standard on some machines.

Cab Enclosure .....	8.1
Cab Heater .....	8.2
Cab Door.....	8.3
Side Windows - Painted.....	8.4
Block Heater .....	8.5
Horn .....	8.6
Backup Alarm .....	8.7
Seat Belt (3") .....	8.8
Auto Engine Shutdown.....	8.9
Axle Seal Protector .....	8.10
Hand Controls .....	8.11
Hi-Flow .....	8.12
Optional Wheel Equipment .....	8.13
Hydraulic Oil Heater.....	8.14
Interior Light & Exterior Trouble.....	8.15
Light Kit.....	8.16
Driving Lamp.....	8.17
Purifier .....	8.18
Mirror, External Rear View .....	8.19
Mirror, Internal Rear View .....	8.20
Suspension Seat & Seat Belt .....	8.21
Self Level Valve.....	8.22

<b>PART</b>	<b>QTY</b>	<b>DESCRIPTION</b>
<b>U-3056</b>	<b>1</b>	<b>Kit, Cab Enclosure:</b>
964846SP	1	Kit, Cab Heater
963802SP	1	Kit, Cab Door
963881SP	1	Kit, Side Windows - Painted



PART	QTY	DESCRIPTION	PART	QTY	DESCRIPTION
<b>U-3054</b>	<b>1</b>	<b>Kit, Cab Heater:</b>	005170SP	1	Bolt, Hex 1/4 x 1
037167SP	1	Heater, Cab	001650SP	5	Washer, Flat 1/4
044118SP	2	Elbow, 30D 8 O-Ring x 10 5/8 Hoseheater Fitting	006645SP	3	Nut, Nylok 1/4
031166SP	1	Valve, Heater	038541SP	1	Grommet, 5/16"
031167SP	1	Cable, Heater Valve Control	043033SP	2	Clamp, Twin 1" Tube
037601SP	1	Switch, Heater with Resistors	042076SP	1	Plate, Cover Twin
037606SP	1	Knob, Heater, Plastic Control	049069SP	4	Plug, Hole
016019SP	6	Clamp, Hose #10	046669SP	1	Terminal Connector
040722SP	1	Tube, Spacer Heater	049372SP	1	Tee, Water Pipe Lower
000073SP	9.5 ft.	Hose, 5/8, 2 or 3 Standard Wall	015521SP	2	Clamp, Hose #24
017493SP	1	Clamp, Standard Tube (EMT Strap)	042442SP	4	Clamp, Cable #18
029972SP	1	Decal, Heater Control	037981SP	5	Tie, Cable 3 1/2" x 3/32"
043066SP	3	Terminal, Slide .25 F #16-14 Gafully Insulated	000415SP	1.0ft.	Tube, Heli
038303SP	2	Clamp, Tube Twin 5/8"			
038472SP	1	Plate, Cover Twin			
037633SP	2	O-Ring			
039122SP	1	Fuse, Automotive 10 Amp (5 per pack)			
000765SP	7.5 ft.	Loom, Corrugated .250 ID Black			
003625SP	6.5 ft.	Wire, #14 Gauge Yellow Type SXL			
001651SP	2	Washer, Flat			
007458SP	2	Bolt, Hex 5/16 x 2 3/4			
016771SP	2	Nut, Nylok, Hex 5/16			
026715SP	3	Bolt, Hex 6 x 65MM			
040652SP	3	Tube, Spacer Heater			
002279SP	3	Washer, Lock 1/4			



ITEM	PART	QTY	DESCRIPTION
1.	U-2674	1	<b>Kit, Cab Door</b>
2.	963786SP	1	Door Cab Welded Assy.
3.	037243SP	1	Glass, Solid Tempered, Cab Door
4.	015750SP	9 ft.	Weatherstrip, Glass Setting
5.	048601SP	11.75 ft.	Molding, Trim Seal 3/4" x 1/8"
6.	031744SP	4	Screw, Hex Head
7.	032600SP	1	Plate, Latch Block
8.	953780SP	1	Handle, Cab Locking
9.	015885SP	2	Bolt, Stove
10.	002811SP	2	Washer, Lock
11.	006467SP	2	Nut, Hex
12.	001650SP	5	Washer, Flat
13.	005170SP	4	Bolt, Hex
14.	006645SP	4	Nut, Nylok
15.	039891SP	1	Latch, Cab Door RH
16.	037597SP	1	Blade, Wiper 16"
17.	037596SP	1	Arm, Wiper
18.	037275SP	1	Motor, Wiper Single Speed
19.	958336SP	2	Cab Bushing Assy.
20.	001630SP	1	Pin, Cotter
21.	002663SP	1	Bolt, Hex
22.	002279SP	1	Washer, Lock
23.	963775SP	1	Assembly, Cab Door Stop
24.	043005SP	2	Stud, Ball
25.	047050SP	1	Spring, Gas
26.	041792SP	1	Insert, Blind Thread
*	007045SP	1	Wire, End Plug Type F
*	021259SP	2	Pin, Terminal
*	032968SP	1	Receptacle, Pin Terminal "Loosepack" 14-16 Gauge
*	008615SP	0.333 ft.	Tube, Heat Shrink .187
*	015149SP	5 ft.	Wire, #14 Gauge Gray
*	035489SP	0.1	Sealant, Urethane Primerless

<b>PART</b>	<b>QTY</b>	<b>DESCRIPTION</b>
<b>U-2689</b>	<b>1</b>	<b>Kit, Side Windows Painted:</b>
044345SP	26	Screw, Machine 1/4 x 3/4 Pan Head 20TPI Stainless
044237SP	26	Nut, 1/4 Flange 20 TPI Stainless
014869SP	1	Screw, Self Drilling
015931SP	23 ft.	Weatherstrip, 5/16 x 3/4 Shur Stick (50' Roll)
039868SP	8	Washer, Nylon
039869SP	2	Knob, Fluted Black w/ 1/4" 20 Insert
047275SP	1	Window, Glass Sliding LH Side Painted
047276SP	1	Window, Glass Sliding RH Side Painted
039907SP	2	Insulator, Nylon 1/4"
040908SP	2	Bolt, Hex 1/4 x 1 1/4
040909SP	2	Nut, Hex 1/4

<b>PART</b>	<b>QTY</b>	<b>DESCRIPTION</b>
<b>U-2479</b> 036789SP	<b>1</b> 1	<b>Kit, Block Heater:</b> Heater, Block, Kubota

PART	QTY	DESCRIPTION
<b>U-2682</b>	<b>1</b>	<b>Kit, Horn:</b>
040918SP	1	Alarm, Fast Sounding
044182SP	1	Handle, Ergonomic w/ Rocker & 2 PB Switches
044513SP	1	Bolt, Ergonomic Handle
006081SP	2	Bolt, Hex 5/16 x 3/4
001651SP	2	Washer, Flat 5/16
001870SP	2	Washer, Lock 5/16
001191SP	2	Nut, Hex 5/16
039880SP	0.5 ft.	Wire, #18 Gauge Lt. Green Type SXL
039206SP	4 ft.	Wire, #18 Gauge White/Brown Type SXL
039899SP	2	Terminal, Ring #10 Stud 22-18 Gauge Wire
039901SP	1	Terminal, Ring 5/16" Stud 22-18
039127SP	1	Terminal, Pin .156 Male
039110SP	1	Tower, 2-Way Weatherpack
039109SP	2	Sleeve, Cable 18-20 AWG Weatherpack
039009SP	2	Seal, Cable 14-18 AWG Weatherpack
008615SP	1 ft.	Tube, Heat Shrink .187
003273SP	8	Tie, Cable
000765SP	0.5 ft.	Loom, Currugated
039122SP	1	Fuse, Automotive 10 Amp (5 per pack)

<b>PART</b>	<b>QTY</b>	<b>DESCRIPTION</b>
<b>U-2481</b>	<b>1</b>	<b>Kit, Backup Alarm:</b>
038752SP	2	Switch, Backup Alarm
042187SP	1	Alarm, Back-Up
043327SP	1	Harness, Backup Alarm
001191SP	6	Nut, Hex 5/16
001651SP	6	Washer, Flat 5/16
001190SP	2	Bolt, Hex 5/16 x 1
001870SP	6	Washer, Lock 5/16
039122SP	1	Fuse, Automotive 10 Amp (5 per pack)
043330SP	2	Sheet, Backup Alarm Spacer
004398SP	2	Bolt Hex 7/16 x 6
006393SP	4	Nut, Hex 7/16
003237SP	2	Bolt, Hex 1/4 x 2 1/2
044323SP	2	Nut, Jam 1/4
043328SP	2	Sheet, Backup Alarm Mount
043337SP	2	Sheet, Backup Alarm Mount
001622SP	4	Bolt, Stove 3/16 x 1
006468SP	4	Washer, Flat 3/16
002811SP	4	Washer, Lock 3/16
006467SP	4	Nut, Hex 3/16
027013SP	4	Washer, Lock 1/8

# SEAT BELT (3")

8.8

PART	QTY	DESCRIPTION
<b>U-2482</b>	<b>1</b>	<b>Kit, Seat Belt 3":</b>
048276SP	1	Belt, Safety 3" Retractable w/ Safety Wiring



<b>PART</b>	<b>QTY</b>	<b>DESCRIPTION</b>
<b>U-3103</b>	<b>1</b>	<b>Kit, Auto Engine Shutdown:</b>
039840SP	1	Relay, 12V 40A SPDT Form C c/w Bracket
043714SP	1	Switch, Pressure Electrical Cert. of Compliance
029241SP	1	Siren, Mini
039899SP	1	Terminal, Ring #10 Stud 22-18 Gauge Wire
049488SP	1	Harness, Wire Auto Shutdown Engine
044273SP	1	Harness, Wire Auto Shutdown ROPS
049405SP	1	Adaptor, F-Pipe
037208SP	1	Bushing, Brass, Redu. Mach.
006467SP	1	Nut, Hex 3/16"
002811SP	1	Washer, Lock 3/16"
015885SP	1	Bolt, Stove 3/16" x 3/4"

# AXLE SEAL PROTECTOR

8.10

PART	QTY	DESCRIPTION
<b>962744SP</b>	<b>1</b>	<b>Kit, Axle Seal Protector:</b>
044335SP	4	Bar, Axle Seal Protector
044355SP	8	Screw, Cap 1/4
002279SP	8	Washer, Lock 1/4

<b>PART</b>	<b>QTY</b>	<b>DESCRIPTION</b>
<b>U-2651</b>	<b>1</b>	<b>Kit, Hand Controls</b>
044937SP	1	Kit, Dust Cap w/ Connector
046006SP	1	Bar, Control Lever Linkage
046005SP	1	Nut, Jam
005170SP	2	Bolt, Hex 1/4 x 1
006645SP	2	Nut, Nylok 1/4
035883SP	2	Rod End Assy
005405SP	4	Nut, Hex 1/4
047426SP	2	Cable, Push-Pull 29"
035884SP	2	Clevis, 1/4" Pin, 1/4" UNF Threadturnbuckle Style
030044SP	2	Pin, Clevis 1/4 x 3/4
001630SP	2	Pin, Cotter 1/16 x 3/4
963266SP	1	Step Shield Assy HC
044286SP	3	Safety Track 4 1/2" x 11 1/2"
002663SP	2	Bolt, Hex 1/4 x 3/4
001650SP	2	Washer, Flat 1/4
051108SP	1	Bar Spacer

PART	QTY	DESCRIPTION	PART	QTY	DESCRIPTION
<b>U-3059</b>	<b>1</b>	<b>Kit, Hi-Flow:</b>	041018SP	3	Terminal, Slide .25F #18-22 GA Fully Insulated
000765SP	17 ft.	Loom, Corrugated	041022SP	13 ft.	Wire, #18 Gauge Yellow Type SXL
001193SP	7	Bolt, Hex 3/8 x 1	043650SP	1	Adaptor Plate
001642SP	7	Washer, Lock 3/8	048598SP	1	Valve, Hydraulic Manifold
001643SP	4	Washer, Flat 3/8	048599SP	1	Pump, Gear 1.92 cu in
002663SP	2	Bolt, Hex 1/4" x 3/4"	044462SP	1	Plug, Power Beyond
001350SP	2	Nut, Hex 1/4	043539SP	1	Filter, Hydraulic Assy.
001650SP	4	Washer, Flat 1/4	964917SP	1	Kit, Hose Assy Hi Flow T-245HDK
002279SP	2	Washer, Lock 1/4	021259SP	2	Pin, Terminal (Waytek)
052145SP	1	Cplg, Quick Disconnect, Female	032968SP	2	Receptacle, Pin Terminal "Loosepack" 14-16 GA
052147SP	1	Dust Plug for 8 1/2 F Quik Disconnect	016601SP	1	Terminal, Wire, 1/4 Stud, 16-14 Gauge, Blue
014866SP	3	Elbow, 90 Degree	039110SP	3	Tower, 2-Way Weatherpack
014867SP	2	Connector	039004SP	1	Shroud, 2-Way Weatherpack
026641SP	2	Tee	039109SP	6	Sleeve, Cable 18-20 AWG Weatherpack
038768SP	1	Elbow, 90 Degree	039007SP	2	Pin, 18-20 AWG Weatherpack
048680SP	2	Connector	039009SP	6	Seal, Cable 14-18 AWG Weatherpack
043919SP	1	Coupling, Quick Disconnect, Female	003627SP	4.5 ft.	Wire, #14 Gauge Green Type SXL
043921SP	1	Dust Plug for Female Quick Disconnect	000555SP	1.5 ft.	Tube, Heat Shrink .250
043920SP	1	Coupling, Quick Disconnect, Male	043066SP	1	Terminal, Slide .25 F #16-14 Ga. Fully Insulated
043922SP	1	Dust Plug for Male Quick Disconnect	044513SP	1	Bolt, Handle
039042SP	1	Connector, Bulkhead	051325SP	1	Sheet, Burp Tank Mount
048736SP	1	Conn., Blkhhd.	964614SP	1	Mount, Bracket
036711SP	1	Connector	051324SP	1	Plate, Tube Protector
039122SP	1	Fuse, Automotive 10 Amp (5 per pack)	049030SP	1	Connector, Blkhhd.
039124SP	1	Switch, Toggle DPST	019232SP	1	Elbow
039878SP	8.25 ft.	Wire, #18 Gauge Blue Type SXL	026834SP	1	Elbow
044182SP	1	Handle, Ergonomic w/ Rocker & 2 PB Switches	038386SP	2	Elbow
041017SP	18 ft.	Wire, #18 Gauge Brown Type SXL	043658SP	2	O-Ring
049053SP	1	Tube	043665SP	2	Screw, Cap 3/8" x 2"
049054SP	1	Tube	049608SP	2	Clamp, Tube Twin 3/4"
049055SP	1	Tube	038302SP	2	Clamp, Tube Twin 1/2"
049188SP	1	Tube	038472SP	2	Plate, Cover Twin
049189SP	1	Tube	001674SP	2	Bolt, Hex. 5/16" x 3"
043170SP	1	Coupler,G-pump to tandem	052145SP	1	Cplg. Quick Disconnect,LS000415 Onward
			052147SP	1	Cap,Quick Disconnect, LS000415 Onward

<b>PART</b>	<b>QTY</b>	<b>DESCRIPTION</b>
<b>U-2560</b>	<b>1</b>	<b>Kit, Tire 33 x 6 x 8 Solid Field</b>
046431SP	4	Wheel & Tire Assy, 33 x 6 x 8 Solid
<b>U-2656</b>	<b>1</b>	<b>Kit, Tire 12 x 16.5 HD2000 Field</b>
044020SP	2	Tire & Wheel Assy, 12 x 16.5 LH HD2000, 8 Bolt
044021SP	2	Tire & Wheel Assy, 12 x 16.5 RH HD2000, 8 Bolt
<b>U-2715</b>	<b>1</b>	<b>Kit, Tire 33 x 15.5 x 16.5, Outrigger Field</b>
047619SP	2	Tire & Wheel Assy, 33 x 15.5 x 16.5 RH Outrigger, 8 Bolt
047620SP	2	Tire & Wheel Assy, 33 x 15.5 x 16.5 LH Outrigger, 8 Bolt
<b>U-3124</b>	<b>1</b>	<b>Kit, Tire Foam Filled, 12 x 16.5, Field</b>
049511SP	2	Tire Ass'y, Foam Filled, R.H.
049512SP	2	Tire Ass'y, Foam Filled, L.H
<b>U-3120</b>	<b>1</b>	<b>Kit, Tire Foam Filled, 33 x 15 x 16.5 Outrigger Field</b>
049519SP	2	Tire Ass'y, Foam, R.H.
049520SP	2	Tire Ass'y, Foam, L.H.
<b>U-3128</b>	<b>1</b>	<b>Kit, tire Foam Filled,12 x 16.5 2000 Field</b>
049515SP	2	Tire Ass'y, Foam, R.H.
049516SP	2	Tire Ass'y, Foam, L.H..

# HYDRAULIC OIL HEATER

8.14

PART	QTY	DESCRIPTION
<b>U-2515</b> 030549SP	<b>1</b> 1	<b>Kit, Hydraulic Oil Heater:</b> Heater, Hydraulic Oil

<b>PART</b>	<b>QTY</b>	<b>DESCRIPTION</b>
<b>U-2539</b>	<b>1</b>	<b>Kit, Interior Light &amp; Exterior Trouble:</b>
041317SP	1	Light, Dome / Emergency
039880SP	11 ft.	Wire, #18 Gauge Light Green Type SXL
041023SP	11 ft.	Wire, #18 Gauge Red Type SXL
017940SP	2	Grommet
000765SP	11 ft.	Loom, Corrugated .250 ID Black
039122SP	1	Fuse, Automotive 10 Amp (5 per pack)
041705SP	1	Connector, Male, 2-Way Metri-Pak
041706SP	2	Terminal, Female Metri-Pak for 41705
039901SP	1	Terminal, Ring 5/16" Stud 22-18
041018SP	1	Terminal, Slide .25 F #18-22 Ga Fully Insulated
048242SP	3	Screw, Self Tapping, 10-16 x 1-1/4"
037472SP	3	Screw, Self Tapping 10-16 x 3/4"

PART	QTY	DESCRIPTION	PART	QTY	DESCRIPTION
<b>U-2694</b>	<b>1</b>	<b>Kit, Lights 153 / 245 / 175:</b>	043759SP	1	Tower, 4-Way Weatherpack
047332SP	1	Light, Kit LH	039109SP	4	Sleeve, Cable 18-20 AWG Weatherpack
047333SP	1	Light, Kit RH	039009SP	4	Seal, Cable 14-18 AWG Weatherpack
046668SP	1	Beacon, Rotating	044182SP	1	Handle, Ergonomic w/ Rocker & 2 PB Switches
000765SP	1 ft.	Loom, Corrogated .250 ID Black	021259SP	2	Pin, Terminal (Waytek)
046669SP	2	Terminal, Connector .250 Slide	008615SP	0.167 ft.	Tube, Heat Shrink .187
046670SP	1	Light, License w/ Harness	007045SP	1	Wire, End Plug
046689SP	2	Reflector, Red Reflex	015885SP	4	Bolt, Stove 3/16 x 3/4
039123SP	3	Switch, Toggle SPST	006468SP	4	Washer, Flat 3/16
038752SP	1	Switch, Backup Alarm	002811SP	4	Washer, Lock 3/16
043328SP	1	Sheet, Backup Alarm Mount	006467SP	4	Nut, Hex 3/16
001191SP	2	Nut, Hex 5/16	047419SP	1	Mirror, External CE
001870SP	2	Washer, Lock 5/16	027013SP	2	Washer, Lock 1/8
001651SP	2	Washer, Flat 5/16	047352SP	1	Sheet, Reare License 153
003912SP	1	Fuse, Automotive 10 Amp (5 per pack)	047351SP	1	Sheet, Rear License 105 / 245
043330SP	1	Sheet, Backup Alarm Spacer	048031SP	1	Plate, Mirror Bracket
017204SP	1	Decal, Slow Moving Vehicle, One Piece Type	001651SP	2	Washer, Flat 5/16
043330SP	2	Sheet, Backup Alarm Spacer	001678SP	2	Bolt, Hex 5/16 x 1 1/2
015885SP	2	Bolt, Stove 3/16 x 3/4	001870SP	2	Washer, Lock 5/16
006393SP	2	Nut, Hex 7/16	044513SP	1	Bolt, Erg. Handle
048721SP	1	Bolt, Switch Activator	046690SP	2	Reflector, Clear Red
044323SP	1	Nut, Jam	036273SP	2	Bar, CF RD .750
046835SP	1	Sheet, SMV	002454SP	2	Bolt, Hex. 1/4 x 1 1/2
021907SP	4	Screw, Self-Tapping 5/16 - 18 x 5/8 Type 1	001650SP	2	Washer, Flat 1/4
051399SP	2	Sheet, Light Mount	006645SP	2	Nut, Nylok 1/4
019029SP	4	Bolt, Hex	051986SP	2	Sheet, Cover, Plain
021029SP	4	Washer, Lock			
001643SP	4	Washer, Flat			
046899SP	2	Sheet, Cover w/ Thomas			
031744SP	4	Screw, Hex Head, Tapping			



<b>PART</b>	<b>QTY</b>	<b>DESCRIPTION</b>
<b>U-2700</b>	<b>1</b>	<b>Kit, Lamp Driving:</b>
047418SP	2	Lamp, Driving E Approved

# PURIFIER

8.18

PART	QTY	DESCRIPTION
<b>U-2659</b>	<b>1</b>	<b>Kit, Purifier:</b>
047088SP	1	Muffler / Purifier Assembly

<b>PART</b>	<b>QTY</b>	<b>DESCRIPTION</b>
<b>U-2766</b>	<b>1</b>	<b>Kit, Mirror External Rear View:</b>
001622SP	2	Bolt, Stove 3/16 x 1
006468SP	2	Washer, Flat 3/16
002811SP	2	Washer, Lock 3/16
006467SP	2	Nut, Hex 3/16
053005SP	1	Mirror, External Rear View
048031SP	1	Plate, Mirror Bracket
001651SP	2	Washer, Flat 5/16
001678SP	2	Bolt, Hex 5/16 x 1 1/2
001870SP	2	Washer, Lock 5/16
965928SP	1	Bracket, Rear View Mirror

# MIRROR, INTERNAL REAR VIEW

8.20

PART	QTY	DESCRIPTION
<b>U-2767</b>	<b>1</b>	<b>Kit, Mirror Internal Rear View:</b>
024229SP	1	Mirror, Rear View
007473SP	1	Bolt, Flat Head 3/16 x 1
006467SP	1	Nut, Hex 3/16
002811SP	1	Washer, Lock 3/16

PART	QTY	DESCRIPTION
<b>U-2716</b>	<b>1</b>	<b>Kit, Suspension Seat Field:</b>
047523SP	1	Seat, Suspension
039904SP	1	Harness, Seat Switch Wire
040581SP	1	Clip, Cable 3/8" for 5/16" Bolt
963883SP	1	Seat Mount Assy
042070SP	3	Knob, Black w/ Stud 5/16" 8 x 3/4
964627SP	1	Front Bulhead Assy.
047404SP	1	Insulation, Seat Mount
047406SP	1	Insulation, Front Bulkhead
<b>U-2712</b>	<b>1</b>	<b>Seat Belt 2" for Suspension Seat:</b>
047524SP	1	Belt, Safety 2"
<b>U-2713</b>	<b>1</b>	<b>Seat Belt 3" for Suspension Seat:</b>
047525SP	1	Belt, Safety 3"

# SELF LEVEL VALVE

8.22

PART	QTY	DESCRIPTION
<b>U-3012</b>	<b>1</b>	<b>Kit, Self Level Valve (#964731)</b>
043487SP	1	Valve, Self Level Ass'y
019226SP	1	Connector
019232SP	1	Elbow, 90 Degree Straight
036626SP	2	Tee
964730SP	1	Kit, Hose Ass'y., SLV
017441SP	2	Washer, Lock 5/16
042907SP	2	Bolt, Hex 5/16
017438SP	2	Washer, Flat 5/16
036273SP	2	Bar
024615SP	2	Nut, Hex 5/16

## **NUMERICAL INDEX**

# NUMERICAL INDEX

PART NUMBER / SECTION	PART NUMBER / SECTION	PART NUMBER / SECTION	PART NUMBER / SECTION
000073SP .....8.2	001870SP.....1.6,1.7,2.1A,2.2,2.4,4.1	006699SP .....1.2	017940SP .....8.15
000261SP .....1.1, 1.7	.....4.8,8.6,8.7,8.16,8.19	006816SP .....4.4	018318SP .....1.1
000407SP .....1.1	002008SP.....2.1A,2.1B	006869SP .....5.4	018455SP .....1.5
000415SP .....8.2	002010SP...1.3,1.4,1.6,2.1B,2.2,4.5,4.7	007019SP .....1.10	018478SP .....4.4
000555SP .....8.12	002011SP.....1.3	007045SP .....8.3,8.16	018724SP.....6.2A,6.2B
000698SP ..... 4.1	002279SP .....1.2,4.4,8.2,8.3,8.10,8.12,	007458SP .....1.3,5.2, 8.2	019029SP .....7.3,8.16
000765SP .....8.2,8.6,8.12,8.15,8.16	002454SP.....2.1A,2.1B,8.16	007465SP.....1.4,1.8,2.1A,2.1B,4.4,4.6	019226SP .....4.6,4.8,5.3,8.22
000820SP .....1.5,1.7	002580SP .....2.2	007473SP .....8.20	019232SP .....4.3,5.3,8.12,8.22
000821SP .....1.7	002593SP .....2.2	007723SP .....1.2,1.7	019235SP .....4.1
000822SP .....4.4	002663SP.....1.7,8.3,8.11,8.12	008104SP .....4.4,5.1	019238SP .....5.1
000917SP .....1.5,1.7	002811SP.....2.4,8.3,8.7,8.9	008613SP .....1.3,1.4,1.5,2.4	019949SP .....1.1,4.4
001190SP.....1.2,1.6,1.7,2.1A,8.7	.....8.16,8.19,8.20	008615SP .....8.3,8.6,8.16	020235SP .....1.5
001191SP.....8.6,8.7,8.16	002898SP .....1.5	014313SP .....1.2,4.4	020860SP .....1.3
001193SP.....1.7,1.8,4.2,4.4,8.12	003237SP .....8.7	014797SP .....1.1	020861SP.....1.3,1.5,2.1B
001194SP.....1.1,1.2,7.2	003273SP .....8.6	014866SP .....4.2,5.1,5.3,8.12	021029SP.....2.1A,2.1B,7.2,7.3,8.16
001350SP .....1.6,2.3,4.4,8.12	003321SP .....1.3	014867SP .....5.1,5.3,8.12	021121SP.....4.8,5.1
001386SP .....3.2	003322SP .....1.4	014869SP .....8.4	021128SP.....5.1
001387SP .....1.1,1.7,4.4,7.2	003625SP .....8.2	014877SP .....3.2	021174SP .....2.1A,2.1B
001458SP .....1.3	003627SP .....8.12	014898SP .....4.1	021259SP .....8.3,8.12,8.16
001622SP .....8.7,8.19	004398SP .....8.7	015052SP .....7.3	021554SP .....7.1,7.2
001626SP .....2.2	004461SP .....1.2	015149SP .....8.3	021557SP .....4.4
001630SP.....2.1A,2.1B,2.2,8.3,8.11	005170SP.....1.2,1.5,2.1A,2.1B,4.4,	015433SP .....4.1,4.8	021558SP .....4.4,5.4
001642SP .....1.1,1.2,1.7,4.2,7.2,8.12	.....8.2,8.3,8.11	015521SP .....8.2	021559SP.....2.1A,2.1B,7.3
001643SP.....1.1,1.2,1.7,1.8,2.1A	005405SP.....2.2,8.11	015750SP .....1.5,8.3	021701SP .....4.1
.....4.2,4.4,8.12,8.16	005406SP.....2.1A,2.1B	015885SP .....8.3,8.9,8.16	021907SP .....8.16
001647SP .....1.5,5.4	005832SP .....1.10,3.2	015931SP .....8.4	022280SP .....4.8
001650SP .....1.2,1.5,1.7,4.4,8.2,8.3	006081SP .....8.6	016019SP .....8.2	022448SP .....3.2
.....8.11,8.12,8.16	006086SP .....1.6,1.7	016601SP .....8.12	022653SP .....1.3
001651SP .....1.2,1.6,1.7,8.2,8.6	006268SP .....4.4,7.1	016608SP .....1.5,4.4	022810SP .....1.4
.....8.7,8.16,8.19	006377SP .....3.1	01677SP. 1.3,2.1A,2.1B,2.2,4.3,4.6,8.2	022819SP .....6.2A,6.2B
001671SP .....1.4	006393SP .....8.7,8.16	016989SP .....1.2	023194SP .....1.1
001674SP .....8.12	006394SP.....2.1A,2.1B	017144SP .....1.1,4.1	023301SP.....Decals
001675SP .....4.6	006467SP .....1.2,8.3,8.7,8.9,8.16	017204SP .....8.16	023307SP.....Decals
001677SP.....2.1A,2.1B	.....8.19,8.20	017438SP .....8.22	023308SP.....Decals
001678SP .....8.16,8.19	006468SP .....8.7,8.16,8.19	017441SP .....8.22	023309SP.....Decals
001680SP .....1.3	006645SP.....1.2,1.5,2.1A,2.1B,	017493SP .....8.2	023310SP.....Decals
001684SP .....1.2	.....8.2,8.3,8.11,8.16	017633SP .....1.5	023312SP.....Decals



PART NUMBER / SECTION	PART NUMBER / SECTION	PART NUMBER / SECTION	PART NUMBER / SECTION
023321SP.....Decals	029384SP.....2.1A	036711SP.....8.12	038752SP.....6.2A,6.2B,8.7,8.16
023324SP.....Decals	029437SP.....4.8	036713SP.....5.1	038761SP.....6.1A,6.1B
023325SP.....Decals	029875SP.....4.5,4.7	036733SP.....4.1	038768SP.....5.3,8.12
023326SP.....Decals	029971SP.....6.2A,6.2B	036789SP.....8.5	038794SP.....6.1A,6.1B
023385SP.....1.3,2.1B	029972SP.....8.2	036849SP.....4.1	038797SP.....1.6
023452SP.....1.5	030044SP.....2.1A,2.1B,2.2,8.11	036855SP.....4.8,5.1	038855SP.....6.2A,6.2B,7.1
023772SP.....2.1A,2.1B,2.3	030549SP.....4.1,8.14	037010SP.....Decals	038870SP.....6.2A,6.2B
023861SP.....1.1	031166SP.....8.2	037059SP.....Decals	038871SP.....6.2A,6.2B
024229SP.....8.20	031167SP.....8.2	037060SP.....Decals	038872SP.....6.2A,6.2B
024264SP.....1.1	031744SP.....1.5,1.7,8.3,8.16	037104SP.....6.2A,6.2B	039004SP.....8.12
024615SP.....8.22	032070SP.....1.7	037119SP.....4.3	039007SP.....8.12
025011SP.....5.1	032275SP.....Decals	037167SP.....8.2	039009SP.....8.6,8.12,8.16
025091SP.....1.4,5.4	032478SP.....4.1	037206SP.....4.1,6.2A,6.2B	039042SP.....5.3,8.12
025460SP.....Decals	032600SP.....8.3	037208SP.....4.1,8.9	039109SP.....8.6,8.12,8.16
025589SP.....2.1A,2.1B	032614SP.....1.3	037243SP.....8.3	039110SP.....8.6,8.12
025618SP.....3.2	032615SP.....1.3	037275SP.....8.3	039121SP.....6.2A,6.2B
025762SP.....1.7	032968SP.....8.3,8.12	037472SP.....8.15	039122SP.....6.2A,6.2B,8.2,8.6,8.7,8.12
026008SP.....5.1	033023SP.....4.4,7.4	037596SP.....8.3	.....8.15,8.16
026042SP.....3.2	033073SP.....7.3	037597SP.....8.3	039123SP.....6.1A,6.1B,8.16
026129SP.....4.4	033149SP.....7.4	037601SP.....8.2	039124SP.....6.1A,6.1B,8.12
026172SP.....2.4	033831SP.....4.3,4.6,4.8	037606SP.....8.2	039126SP.....1.5
026174SP.....2.2	033850SP.....5.1	037633SP.....8.2	039127SP.....8.6
026188SP.....3.2	034903SP.....4.1	037808SP.....1.5	039192SP.....Decals
026202SP.....4.1	034919SP.....4.1,4.4	037981SP.....8.2	039196SP.....Decals
026509SP.....3.2	035243SP.....4.2	038043SP.....Decals	039206SP.....8.6
026510SP.....3.2	035451SP.....4.5	038044SP.....Decals	039537SP.....1.5
026641SP.....5.3,8.12	035489SP.....8.3	038302SP.....8.12	039540SP.....6.2A,6.2B
026715SP.....8.2	035536SP.....6.2A,6.2B,7.4	038303SP.....4.1,4.6,4.8,8.2	039546SP.....1.6
026737SP.....1.1	035883SP.....2.1A,2.1B,8.11	038307SP.....6.2A,6.2B	039556SP.....1.7
026829SP.....4.8	035884SP.....2.1A,2.1B,2.2,8.11	038386SP.....8.12	039557SP.....1.7
026834SP.....5.3,8.12	035885SP.....Decals	038389SP.....4.8,5.1	039681SP.....7.4
026856SP.....6.2A,6.2B	035886SP.....Decals	038472SP.....4.1,4.6,4.8,8.2,8.12	039840SP.....6.2A,6.2B,8.9
026859SP.....5.4	036273SP.....8.16,8.22	038516SP.....1.8,6.2A,6.2B	039868SP.....1.2,8.4
027013SP.....8.7,8.16	036336SP.....4.6,4.8	038541SP.....8.2	039869SP.....8.4
029029SP.....3.2	036491SP.....1.10	038577SP.....6.1A,6.1B	039878SP.....8.12
029241SP.....8.9	036598SP.....Decals	038589SP.....4.5,4.7	039880SP.....8.6,8.15
029361SP.....3.2	036626SP.....5.3,8.22	038600SP.....1.8	039891SP.....8.3

# NUMERICAL INDEX

PART NUMBER / SECTION	PART NUMBER / SECTION	PART NUMBER / SECTION	PART NUMBER / SECTION
039899SP .....8.6,8.9	042047SP .....2.3	043088SP .....1.2	043921SP .....5.3,8.12
039901SP .....8.6,8.15	042065SP.....6.1A	043127SP .....4.8	043922SP .....5.3,8.12
039904SP .....1.8,6.2A,6.2B,8.21	042070SP .....1.7,1.8,8.21	043128SP .....4.8	044020SP .....8.13
039907SP .....8.4	042076SP .....4.3,8.2	043130SP .....4.8	044021SP .....8.13
039910SP .....6.2A,6.2B	042107SP.....Decals	043146SP .....5.1	044061SP .....1.6
039921SP .....6.2A,6.2B	042187SP .....8.7	043164SP .....5.2(A)	044118SP .....8.2
039972SP .....6.1A,6.1B	042207SP .....2.1A,2.1B	043165SP .....5.2(A)	044136SP .....5.2(A)
040320SP .....2.4	042208SP .....2.1A,2.1B	043166SP .....5.2(A)	044181SP .....2.1A,2.1B,6.2A,6.2B
040337SP .....1.6	042211SP .....2.1A,2.1B	043167SP .....5.2(A)	044182SP .....2.1A,2.1B,6.2A,6.2B, .....8.6,8.12,8.16
040581SP .....1.8,2.3,8.21	042322SP .....4.3	043169SP .....5.2(A)	044184SP .....4.4
040614SP .....1.3	042350SP .....1.3	043170SP .....8.12	044190SP .....4.9
040652SP .....8.2	042433SP .....6.1A,6.1B	043189SP .....5.1	044237SP .....8.4
040722SP .....8.2	042435SP .....6.1A,6.1B	043235SP .....1.2	044273SP .....8.9
040908SP .....8.4	042442SP .....6.1A,6.1B,8.2	043236SP .....1.2	044276SP .....5.2(A)
040909SP .....8.4	042490SP .....1.6	043327SP .....8.7	044278SP .....5.2(A)
040918SP .....6.1A,6.1B,8.6	042556SP .....4.2	043328SP .....8.7,8.16	044279SP .....5.2(A)
040921SP .....1.1	042557SP .....4.2	043330SP .....8.7,8.16	044280SP .....5.2(B)
041017SP .....8.12	042561SP .....1.1	043337SP .....8.7	044286SP .....8.11
041018SP .....8.12,8.15	042572SP .....1.1	043384SP .....2.1A,2.1B	044299SP .....4.9
041022SP .....8.12	042574SP .....1.1	043487SP .....5.3,8.22	044305SP .....6.2A,6.2B
041023SP .....8.15	042604SP .....6.2A,6.2B,7.4	043493SP .....5.2(B)	044319SP .....7.1
041024SP .....1.1,4.4	042691SP .....7.2,7.4	043539SP .....5.3,8.12	044323SP .....8.7,8.16
041045SP.....Decals	042737SP .....4.4	043558SP .....1.2,1.8,3.1,4.1,4.4,4.8	044335SP .....8.10
041064SP.....Decals	042907SP .....8.22	043634SP .....1.3,1.4	044345SP .....8.4
041065SP.....Decals	042931SP .....1.8	043636SP .....1.3	044347SP .....2.1A,2.1B
041066SP.....Decals	042950SP .....2.4,6.2A,6.2B	043650SP .....8.12	044348SP .....2.1A,2.1B
041290SP .....1.3	042951SP .....6.2A,6.2B	043658SP .....8.12	044349SP .....2.1A,2.1B
041291SP .....1.3	043004SP .....1.7,2.4	043665SP .....8.12	044355SP .....8.10
041317SP .....8.15	043005SP .....1.7,2.4,8.3	043714SP .....8.9	044357SP .....3.1
041318SP .....1.3	043012SP .....1.4	043744SP .....1.1,6.2A,6.2B	044358SP .....3.1
041392SP .....1.3	043020SP .....1.4	043759SP .....8.16	044450SP .....2.1A,2.1B
041619SP .....1.7,1.8	043033SP .....4.3,8.2	043776SP .....Decals	044462SP .....5.3,8.12
041704SP .....1.7	043065SP .....5.1	043791SP .....Decals	044473SP .....4.9
041705SP .....8.15	043066SP .....8.2,8.12	043840SP .....2.3	044513SP .....2.1A,2.1B,8.6,8.12,8.16
041706SP .....8.15	043081SP .....6.2A,6.2B	043903SP .....4.3,4.6,4.8	044615SP .....Decals
041791SP .....1.7,6.2A,6.2B	043082SP .....6.2A,6.2B	043919SP .....5.3,8.12	044744SP .....4.4
041792SP .....8.3	043087SP .....1.2	043920SP .....5.3,8.12	

PART NUMBER / SECTION	PART NUMBER / SECTION	PART NUMBER / SECTION	PART NUMBER / SECTION
044745SP .....4.4	046831SP .....6.1A,6.1B	047523SP .....8.21	047957SP .....4.9
044746SP .....4.4	046835SP .....8.16	047524SP .....8.21	047964SP .....1.9
044762SP .....2.2	046836SP .....6.1A,6.1B	047525SP .....8.21	047965SP .....1.9
044763SP .....2.2	046860SP .....1.10	047566SP .....4.5	047966SP .....1.9
044789SP .....2.2	046861SP .....1.10	047619SP .....8.13	047967SP .....1.9
044797SP .....1.7	046871SP .....7.2	047620SP .....8.13	048021SP .....1.9
044820SP .....7.1	046896SP .....7.1	047732SP .....6.2A,6.2B,7.4	048022SP .....1.9
044935SP .....4.9	046899SP .....8.16	047733SP .....7.4	048023SP .....1.9
044937SP .....4.9,8.11	046913SP .....5.1,6.2A,6.2B	047741SP .....7.1	048031SP .....8.16,8.19
044961SP .....6.1A,6.1B	046914SP .....7.1	047742SP .....7.1	048242SP .....8.15
044979SP .....2.2	046922SP .....5.4	047760SP .....2.2	048276SP .....8.8
046005SP .....4.9,8.11	047050SP .....8.3	047916SP .....5.2(A)	048419SP .....4.8
046006SP .....4.9,8.11	047088SP .....8.18	047918SP .....5.2(A)	048420SP .....4.8
046034SP .....2.4	047150SP .....1.7	047919SP .....5.2(A)	048421SP .....4.6
046106SP .....2.2	047275SP .....8.4	047921SP .....5.2(B)	048422SP .....4.6
046118SP .....4.8	047276SP .....8.4	047922SP .....5.2(A)	048453SP .....4.3
046159SP .....2.2	047332SP .....6.2A,6.2B,8.16	047923SP .....5.2(A)	048454SP .....4.3
046165SP .....4.8	047333SP .....6.2A,6.2B,8.16	047924SP .....5.2(B)	048455SP .....4.3
046166SP .....4.8	047336SP .....6.2A,6.2B	047925SP .....5.2(A),5.2(B)	048464SP .....4.3,4.5
046301SP .....Decals	047351SP .....8.16	047926SP .....5.2(B)	048465SP .....4.6,4.7
046303SP .....1.5	047352SP .....8.16	047927SP .....5.2(B)	048467SP .....2.1A,2.1B
046353SP .....2.1A,2.1B	047371SP .....2.2	047928SP .....5.2(A)	048468SP .....2.1A,2.1B
046366SP .....2.1A,2.1B	047392SP .....1.9	047929SP .....5.2(A)	048477SP .....5.4
046398SP .....1.2	047393SP .....1.9	047930SP .....5.2(A)	048592SP .....4.8
046431SP .....8.13	047394SP .....1.9	047931SP .....5.2(A)	048593SP .....4.8
046435SP .....1.10	047395SP .....1.9	047932SP .....5.2(A)	048594SP .....4.8
046455SP .....3.1	047404SP .....1.9,8.21	047933SP .....5.2(A)	048595SP .....4.8
046456SP .....4.1	047406SP .....1.9,8.21	047934SP .....5.2(A)	048598SP .....5.3,8.12
046668SP .....6.2A,6.2B,8.16	047409SP .....1.9	047935SP .....5.2(A)	048599SP .....5.3,8.12
046669SP .....8.2,8.16	047410SP .....1.9	047936SP .....5.2(A)	048601SP .....8.3
046670SP .....6.2A,6.2B,8.16	047411SP .....1.9	047937SP .....5.2(B)	048657SP .....1.4
046686SP .....6.1A,6.1B	047412SP .....1.9	047938SP .....5.2(A),5.2(B)	048658SP .....1.4
046689SP .....8.16	047418SP .....8.17	047939SP .....5.2(A),5.2(B)	048659SP .....1.4
046690SP .....8.16	047419SP .....8.16,8.19	047940SP .....5.2(A),5.2(B)	048660SP .....1.4
046748SP .....5.1,5.4	047422SP .....1.8	047941SP .....5.2(B)	048680SP .....5.3,8.12
046756SP .....2.1A,2.1B	047426SP .....2.1A,2.1B,8.11	047942SP .....5.2(B)	048706SP .....1.2
046799SP .....5.4	047470SP .....1.2,4.4	047945SP .....5.2(A),5.2(B)	048713SP .....1.2

# NUMERICAL INDEX

PART NUMBER / SECTION	PART NUMBER / SECTION	PART NUMBER / SECTION	PART NUMBER / SECTION
048721SP .....8.16	049405SP .....8.9	052076SP .....4.9	961833SP .....1.3
048736SP .....8.12	049458SP .....1.9	052145SP .....4.8,5.3,8.12	961834SP .....1.3
048885SP .....1.4	049475SP .....4.7	052146SP .....4.8	962371SP .....4.4
048927SP .....1.2	049476SP .....5.1,5.4	052147SP .....4.8,5.3,8.12	962744SP .....3.2,8.10
048928SP .....1.2	049484SP .....4.4	052171SP .....2.1A,2.1B	962822SP .....1.3
048929SP .....1.2	049485SP .....4.4	052223SP .....5.2	962874SP .....2.1A,2.1B
048941SP .....1.5	049488SP .....8.9	052414SP .....4.1	963106SP .....1.7
048942SP .....1.5	049511SP .....8.13	052416SP .....3.1	963266SP .....1.7,8.11
049030SP .....5.3,8.12	049512SP .....8.13	052429SP .....6.1B	963348SP .....2.1A,2.1B
049052SP .....1.9	049515SP .....8.13	052448SP .....6.2B	963349SP .....2.1A,2.1B
049053SP .....5.3,8.12	049516SP .....8.13	052599SP .....4.9	963406SP .....6.2A,6.2B
049054SP .....5.3,8.12	049519SP .....8.13	052646SP .....4.9	963681SP .....6.1A,6.1B
049055SP .....5.3,8.12	049520SP .....8.13	052755SP .....6.2A,6.2B,7.4	963682SP .....6.1A,6.1B
049056SP .....7.4	049608SP .....8.12	052772SP .....Decals	963708SP .....1.10
049065SP .....4.1	049619SP .....4.4	052817SP .....4.4	963758SP .....7.1
049069SP .....8.2	049620SP .....4.4	052818SP .....4.4	963765SP .....4.4
049075SP .....4.4	049722SP .....4.4	052884SP .....1.9	963775SP .....8.3
049076SP .....4.9	049729SP .....5.1,5.2	052889SP .....4.9	963786SP .....8.3
049077SP .....4.9	049739SP .....1.5	052965SP .....1.9	963788SP .....7.2
049079SP .....4.9	049740SP .....1.5	052966SP .....1.9	963802SP .....8.1
049083SP .....4.9	049987SP .....5.1,5.2	053024SP .....1.9	963850SP .....5.1
049188SP .....5.3,8.12	049990SP .....5.2	053025SP .....1.9	963851SP .....4.1,4.2
049189SP .....5.3,8.12	051108SP .....2.1A,2.1B,8.11	053026SP .....1.9	963852SP .....4.1,5.1
049205SP .....2.3	051118SP .....2.3	053053SP .....6.2A,6.2B	963853SP .....4.1,5.1
049241SP .....4.8	051119SP .....3.1	053143SP .....1.5	963854SP .....4.1,5.1
049242SP .....Decals	051126SP .....2.1A,2.1B,	053335SP .....4.9	963855SP .....5.1
049245SP .....Decals	051155SP .....2.1B	053336SP .....4.9	963856SP .....5.1
049264SP .....1.2	051225SP .....4.4	053383SP .....7.4	963857SP .....5.1
049270SP .....3.1	051226SP .....4.4	952766SP .....3.1	963858SP .....5.1
049281SP .....1.3	051249SP .....1.2	953780SP .....8.3	963860SP .....5.1
049290SP .....4.3,4.9	051324SP .....8.12	954503SP .....7.3	963881SP .....8.1
049313SP .....7.4	051325SP .....8.12	957785SP .....3.2	963883SP .....8.21
049314SP .....7.4	051399SP .....8.16	958336SP .....8.3	963900SP .....2.2
049315SP .....7.4	051537SP .....6.2A	958674SP .....3.2	963905SP .....2.2
049316SP .....4.4,5.3	051840SP .....1.7	960475SP .....3.2	964130SP .....5.3
049372SP .....8.2	051986SP .....8.16	961372SP .....6.2A,6.2B	964347SP .....1.4
049374SP .....Decals,1.5	052053SP .....5.3	961693SP .....6.2A,6.2B	964348SP .....1.4

PART NUMBER / SECTION	PART NUMBER / SECTION	PART NUMBER / SECTION	PART NUMBER / SECTION
964350SP .....2.1A,2.1B	964793SP .....4.4	U-3054.....8.2	
964357SP .....2.1A,2.1B	964800SP .....4.4,5.3	U-3056.....8.1	
964379SP .....1.4	964801SP .....4.2,4.4	U-3059.....8.12	
964350SP.....2.1A	964846SP .....8.1	U-3103.....8.9	
964443SP .....1.7	964917SP .....8.12	U-3120.....8.13	
964495SP .....1.4	964918SP .....5.3	U-3124.....8.13	
964496SP .....1.4	964919SP .....5.3	U-3128.....8.13	
964505SP .....1.2	964920SP .....5.3		
964518SP .....1.5	964921SP .....5.3		
964550SP .....4.3	964922SP .....5.3		
964551SP .....4.3	964923SP .....5.3		
964552SP .....4.3,5.3	965495SP .....2.2		
964553SP .....4.6,5.3	965496SP .....2.2		
964554SP .....5.3	965939SP .....5.1		
964555SP .....5.3	965984SP .....5.1		
964556SP .....4.3	U-2326.....1.3		
964557SP .....4.6	U-2479.....8.5		
964558SP .....4.8	U-2481.....8.7		
964559SP .....4.8	U-2482.....8.8		
964560SP .....4.8	U-2515.....8.14		
964561SP .....4.8,5.1	U-2539.....8.15		
964562SP .....4.8	U-2560.....8.13		
964568SP .....4.1,5.1	U-2651.....8.11		
964600SP .....2.4	U-2656.....8.13		
964614SP .....8.12	U-2659.....8.18		
964627SP .....8.21	U-2674.....8.3		
964687SP .....4.8	U-2682.....8.6		
964688SP .....4.8	U-2689.....8.4		
964689SP .....4.6	U-2694.....8.16		
964690SP .....4.6	U-2700.....8.17		
964700SP .....5.3	U-2712.....8.21		
964730SP .....8.22	U-2713.....8.21		
964781SP .....4.4	U-2715.....8.13		
964782SP .....4.4	U-2716.....8.21		
964783SP .....1.2	U-2766.....8.19		
964784SP .....1.2	U-2767.....8.20		
964785SP .....4.4	U-3012.....8.22		